

STN	Informačná technika. Zariadenia a infraštruktúry výpočtových stredísk. Časť 2-2: Rozvod energie.	STN EN 50600-2-2
		36 7254

Táto norma obsahuje anglickú verziu európskej normy.
This standard includes the English version of the European Standard.

Táto norma bola oznámená vo Vestníku ÚNMS SR č. 09/14

Obsahuje: EN 50600-2-2:2014

119470



Úrad pre normalizáciu, metrológiu a skúšobníctvo SR, odbor SÚTN, 2014
Podľa zákona č. 264/1999 Z. z. v znení neskorších predpisov sa môžu slovenské technické normy
rozmnžovať a rozširovať iba so súhlasom Úradu pre normalizáciu, metrológiu a skúšobníctvo SR.

EUROPEAN STANDARD
NORME EUROPÉENNE
EUROPÄISCHE NORM

EN 50600-2-2

March 2014

ICS 35.020; 35.110; 91.140.50

English version

**Information technology -
Data centre facilities and infrastructures -
Part 2-2: Power distribution**

Informationstechnik -
Einrichtungen und Infrastrukturen von
Rechenzentren -
Teil 2-2: Stromversorgung

This European Standard was approved by CENELEC on 2014-01-06. CENELEC members are bound to comply with the CEN/CENELEC Internal Regulations which stipulate the conditions for giving this European Standard the status of a national standard without any alteration.

Up-to-date lists and bibliographical references concerning such national standards may be obtained on application to the CEN-CENELEC Management Centre or to any CENELEC member.

This European Standard exists in three official versions (English, French, German). A version in any other language made by translation under the responsibility of a CENELEC member into its own language and notified to the CEN-CENELEC Management Centre has the same status as the official versions.

CENELEC members are the national electrotechnical committees of Austria, Belgium, Bulgaria, Croatia, Cyprus, the Czech Republic, Denmark, Estonia, Finland, Former Yugoslav Republic of Macedonia, France, Germany, Greece, Hungary, Iceland, Ireland, Italy, Latvia, Lithuania, Luxembourg, Malta, the Netherlands, Norway, Poland, Portugal, Romania, Slovakia, Slovenia, Spain, Sweden, Switzerland, Turkey and the United Kingdom.

CENELEC

European Committee for Electrotechnical Standardization
Comité Européen de Normalisation Electrotechnique
Europäisches Komitee für Elektrotechnische Normung

CEN-CENELEC Management Centre: Avenue Marnix 17, B - 1000 Brussels

Contents

Foreword	4
Introduction.....	5
1 Scope.....	7
2 Normative references.....	7
3 Terms, definitions and abbreviations	8
3.1 Terms and definitions	8
3.2 Abbreviations	11
4 Conformance	12
5 Power supply and distribution within data centres.....	12
5.1 General.....	12
5.2 Dimensioning of power distribution systems.....	15
6 Availability	15
6.1 General requirements.....	15
6.2 Power supply	16
6.3 Power distribution	24
6.4 Incorporation of LVDC distribution	28
6.5 Additional considerations.....	28
6.6 Emergency Power Off (EPO)	28
7 Physical security	29
7.1 General.....	29
7.2 Access	29
7.3 Internal environmental events.....	29
7.4 External environmental events	30
8 Energy efficiency enablement and power distribution	30
8.1 General.....	30
8.2 Granularity Level 1	31
8.3 Granularity Level 2	31
8.4 Granularity Level 3	31
8.5 Cabling infrastructure to support energy efficiency enablement.....	32
Annex A (informative) Example implementations of power distribution	33
A.1 Symbology.....	33

A.2 Example implementations	33
Bibliography.....	36

Figures

Figure 1 — Schematic relationship between the EN 50600 standards	6
Figure 2 — Power supply functional elements	13
Figure 3 —Secondary and tertiary power distribution systems.....	14
Figure 4 — Example of single path solution for power supply	21
Figure 5 — Example of “single path resilient” solution for power supply	22
Figure 6 — Example of “multi-path resilience with concurrent repair/operate” solution for power supply	22
Figure 7 — Example of fault tolerant design solution for power supply.....	23
Figure 8 — Example of single path solution for power distribution	27
Figure 9 — Example of “single path resilient” solution for power distribution.....	27
Figure 10 — Example of “multi-path resilience with concurrent repair/operate” solution for power distribution	27
Figure 11 — Example of fault tolerant design solution for power distribution.....	28
Figure 12 — Possible measurement points.....	30
Figure A.1 — Example for a Class 1/Class 2 power distribution.....	34
Figure A.2 — Example for a Class 3/Class 4 power distribution.....	35

Tables

Table 1 — Functional elements of power distribution.....	13
---	-----------

Foreword

This document (EN 50600-2-2:2014) has been prepared by CLC/TC 215 “Electrotechnical aspects of telecommunication equipment”.

The following dates are fixed:

- latest date by which this document has to be implemented at national level by publication of an identical national standard or by endorsement (dop) 2015-01-06
- latest date by which the national standards conflicting with this document have to be withdrawn (dow) 2015-01-06

Attention is drawn to the possibility that some of the elements of this document may be the subject of patent rights. CENELEC [and/or CEN] shall not be held responsible for identifying any or all such patent rights.

This document has been prepared under a mandate given to CENELEC by the European Commission and the European Free Trade Association.

Introduction

The unrestricted access to internet-based information demanded by the information society has led to an exponential growth of both internet traffic and the volume of stored/retrieved data. Data centres are housing and supporting the information technology and network telecommunications equipment for data processing, data storage and data transport. They are required both by network operators (delivering those services to customer premises) and by enterprises within those customer premises.

Data centres need to provide modular, scalable and flexible facilities and infrastructures to easily accommodate the rapidly changing requirements of the market. In addition, energy consumption of data centres has become critical both from an environmental point of view (reduction of carbon footprint) and with respect to economical considerations (cost of energy) for the data centre operator.

The implementation of data centres varies in terms of:

- a) purpose (enterprise, co-location, co-hosting, or network operator facilities);
- b) security level;
- c) physical size;
- d) accommodation (mobile, temporary and permanent constructions).

The needs of data centres also vary in terms of availability of service, the provision of security and the objectives for energy efficiency. These needs and objectives influence the design of data centres in terms of building construction, power distribution, environmental control and physical security. Effective management and operational information is required to monitor achievement of the defined needs and objectives.

This series of European Standards specifies requirements and recommendations to support the various parties involved in the design, planning, procurement, integration, installation, operation and maintenance of facilities and infrastructures within data centres. These parties include:

- 1) owners, facility managers, ICT managers, project managers, main contractors;
- 2) consultants, architects, building designers and builders, system and installation designers;
- 3) facility and infrastructure integrators, suppliers of equipment;
- 4) installers, maintainers.

At the time of publication of this European Standard, EN 50600 series will comprise the following standards:

EN 50600-1: *Information technology — Data centre facilities and infrastructures — Part 1: General concepts;*

EN 50600-2-1: *Information technology — Data centre facilities and infrastructures — Part 2-1: Building construction;*

EN 50600-2-2: *Information technology — Data centre facilities and infrastructures — Part 2-2: Power distribution;*

EN 50600-2-3: *Information technology — Data centre facilities and infrastructures — Part 2-3: Environmental control;*

EN 50600-2-4: *Information technology — Data centre facilities and infrastructures — Part 2-4: Telecommunications cabling infrastructure;*

EN 50600-2-5: *Information technology — Data centre facilities and infrastructures — Part 2-5: Security systems;*

EN 50600-2-6: *Information technology — Data centre facilities and infrastructures — Part 2-6: Management and operational information.*

The inter-relationship of the standards within the EN 50600 series is shown in Figure 1.

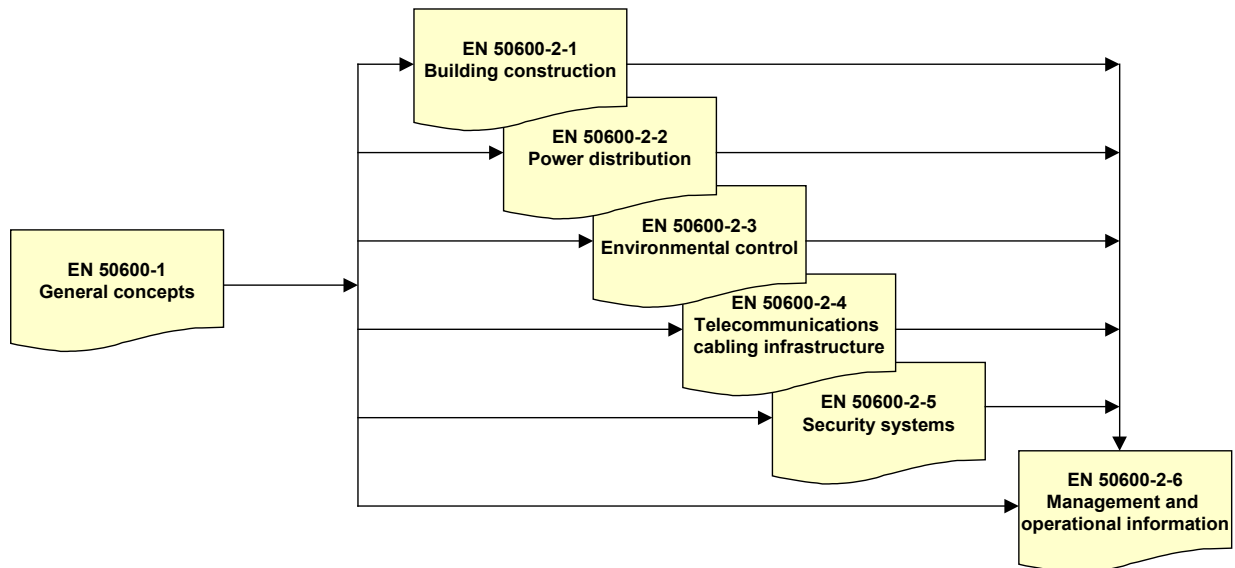


Figure 1 — Schematic relationship between the EN 50600 standards

EN 50600-2-X standards specify requirements and recommendations for particular facilities and infrastructures to support the relevant classification for “availability”, “physical security” and “energy efficiency enablement” selected from EN 50600-1.

This European Standard addresses facilities and infrastructures for power supplies to, and power distribution within, data centres together with the interfaces for monitoring the performance of those facilities and infrastructures in line with EN 50600-2-6 (in accordance with the requirements of EN 50600-1). The line diagrams used in certain figures are not intended to replace the more familiar electrical circuit diagrams associated with power supply and distribution systems which are included where relevant.

This European Standard is intended for use by and collaboration between architects, building designers and builders, system and installation designers.

This series of European Standards does not address the selection of information technology and network telecommunications equipment, software and associated configuration issues.

1 Scope

This European Standard addresses power supplies to, and power distribution within, data centres based upon the criteria and classifications for “availability”, “physical security” and “energy efficiency enablement” within EN 50600-1.

This European Standard specifies requirements and recommendations for the following:

- a) power supplies to data centres;
- b) power distribution systems within data centres;
- c) facilities for both normal and emergency lighting;
- d) equipotential bonding and earthing;
- e) lightning protection;
- f) devices for the measurement of the power consumption characteristics at points along the power distribution system and their integration within management tools.

Safety and electromagnetic compatibility (EMC) requirements are outside the scope of this European Standard and are covered by other standards and regulations. However, information given in this European Standard may be of assistance in meeting these standards and regulations.

Conformance of data centres to the present document is covered in Clause 4.

2 Normative references

The following documents, in whole or in part, are normatively referenced in this document and are indispensable for its application. For dated references, only the edition cited applies. For undated references, the latest edition of the referenced document (including any amendments) applies.

EN 50160:2010, *Voltage characteristics of electricity supplied by public electricity networks*

EN 50174-2, *Information technology – Cabling installation – Part 2: Installation planning and practices inside buildings*

EN 50174-3, *Information technology – Cabling installation – Part 3: Installation planning and practices outside buildings*

EN 50310, *Application of equipotential bonding and earthing in buildings with information technology equipment*

EN 50600-1, *Information technology – Data centre facilities and infrastructures – Part 1: General concepts*

EN 50600-2-1, *Information technology – Data centre facilities and infrastructures – Part 2-1: Building construction*

EN 50600-2-3 ¹⁾, *Information technology – Data centre facilities and infrastructures – Part 2-3: Environmental control*

¹⁾ Draft for formal vote under preparation.

EN 50600-2-4 ²⁾, *Information technology – Data centre facilities and infrastructures – Part 2-4: Telecommunications cabling infrastructure*

EN 50600-2-5 ³⁾, *Information technology – Data centre facilities and infrastructures – Part 2-5: Security systems*

EN 60044-1:1999, *Instrument transformers – Part 1: Current transformers (IEC 60044-1:1996, modified)*

EN 60947 (all parts), *Low-voltage switchgear and controlgear (IEC 60947, all parts)*

EN 61000-2-4:2002, *Electromagnetic compatibility (EMC) – Part 2-4: Environment – Compatibility levels in industrial plants for low-frequency conducted disturbances (IEC 61000-2-4:2002)*

EN 61439 (all parts), *Low-voltage switchgear and controlgear assemblies (IEC 61439, all parts)*

EN 62040 (all parts), *Uninterruptible power systems (UPS) (IEC 62040, all parts)*

EN 62305 (all parts), *Protection against lightning (IEC 62305, all parts)*

EN 62305-4, *Protection against lightning – Part 4: Electrical and electronic systems within structures (IEC 62305-4)*

EN 88528-11, *Reciprocating internal combustion engine driven alternating current generating sets – Part 11: Rotary uninterruptible power systems – Performance requirements and test methods (IEC 88528-11)*

koniec náhľadu – text ďalej pokračuje v platenej verzii STN

²⁾ Circulated for CENELEC enquiry.

³⁾ Draft for CENELEC enquiry under preparation.