

<b>STN</b>	<b>Optovláknové spájacie prvky a pasívne súčiastky. Rozhrania optických konektorov. Časť 4: Skupina konektorov typu SC. Oprava AC</b>	<b>STN EN 61754-4/AC</b>  35 9244
------------	---	---

Táto norma obsahuje anglickú verziu európskej normy.  
This standard includes the English version of the European Standard.

Táto norma bola oznámená vo Vestníku ÚNMS SR č. 03/15

Obsahuje: EN 61754-4:2013/AC:2014, IEC 61754-4:2013/Cor. 1 Jan.:2014

**120515**

## Project

Reference	EN 61754-4:2013/AC:2014
Title	Fibre optic interconnecting devices and passive components - Fibre optic connector interfaces - Part 4: Type SC connector family
Project Number	59471
Abstract/Scope	
Status	Published

## Status

Current Stage code	60.60.0000
Current Stage code date	2014-01-30
Current Stage code deadline	
Target date for vote	

## Legal

Directive(s)	
Mandate(s)	
Order Voucher	

## Details

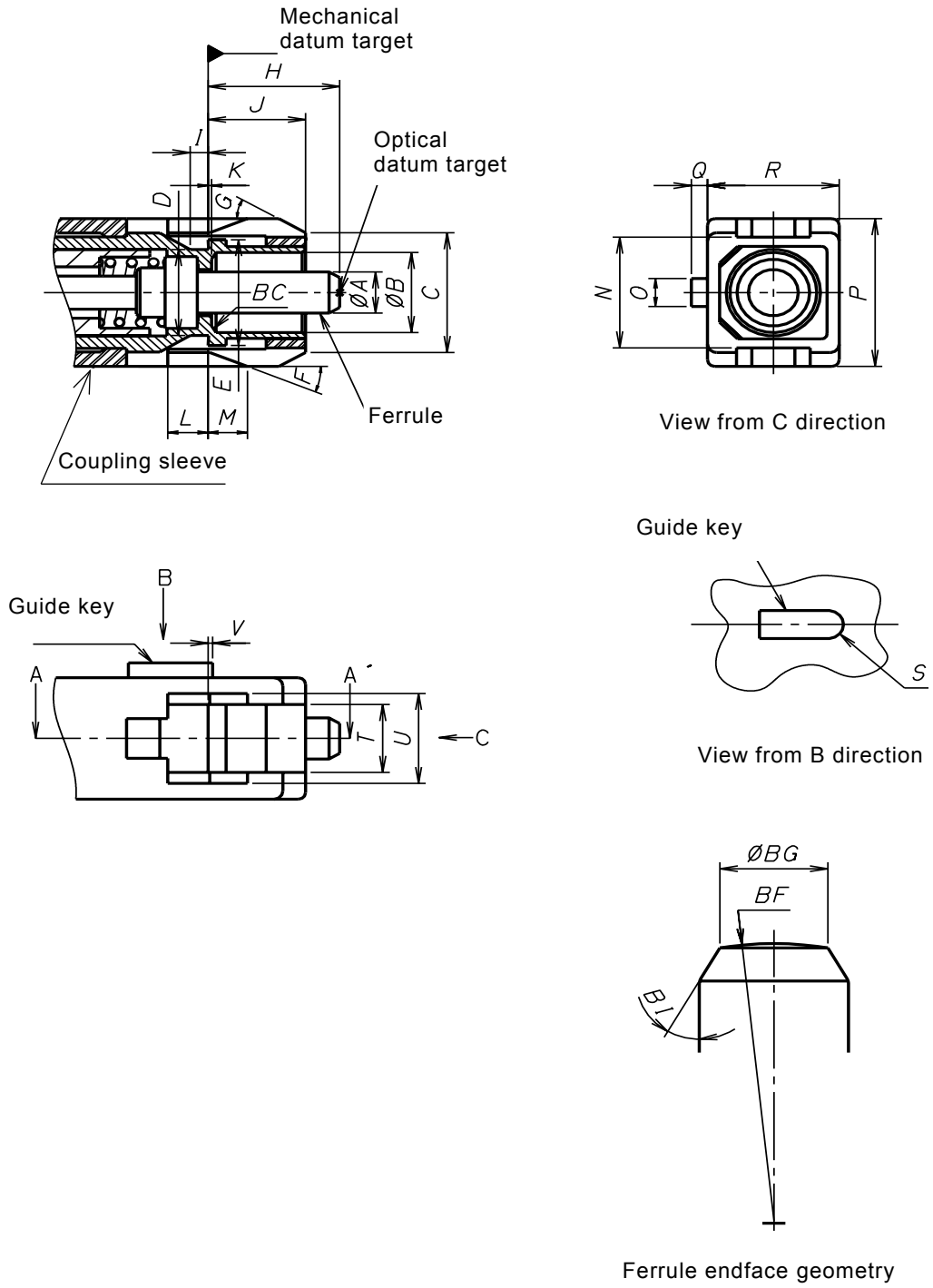
IEC Technical Body	IEC/SC 86B
Reference Document	IEC 61754-4:2013/COR1:2014 (EQV)
ICS	33.180.20 - Fibre optic interconnecting devices
Note	
A-Deviation(s)	
Special National Condition(s)	

**IEC 61754-4**  
**(Second edition – 2013)**

**Fibre optic interconnecting devices and passive components –**  
**Fibre optic connector interfaces –**  
**Part 4: Type SC connector family**

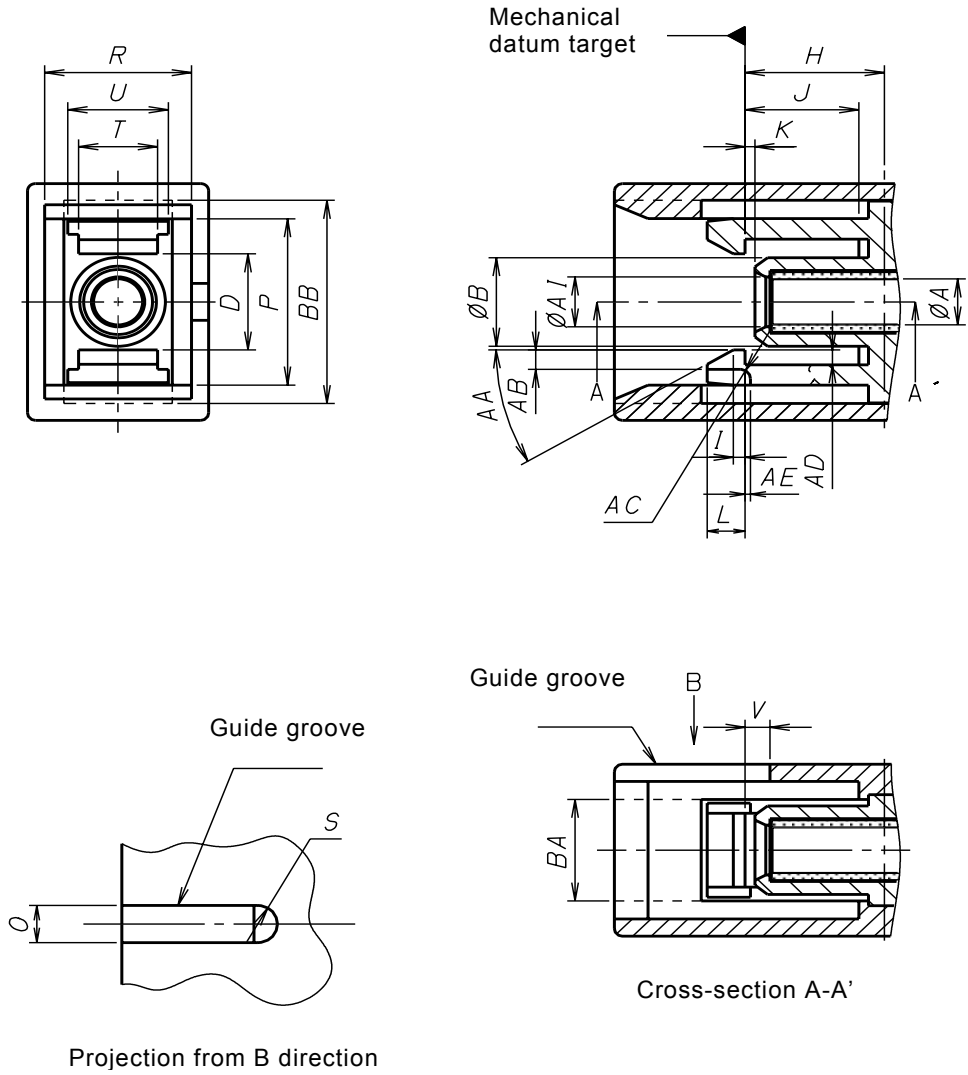
**CORRIGENDUM 1**

*Replace the existing Figures 1 and 2 by the following new figures:*



IEC 1646/13

Figure 1 – Simplex PC plug connector interface



IEC 1647/13

**Figure 2 – Simplex adaptor connector interface**