

<b>STN</b>	<b>Mechanicky ovládané dvere. Bezpečnosť pri používaní. Požiadavky a skúšobné metódy. Oprava AC</b>	<b>STN EN 16005/AC</b>  74 6498
------------	---	---

Power operated pedestrian doorsets. Safety in use. Requirements and test methods

Táto norma obsahuje anglickú verziu európskej normy.  
This standard includes the English version of the European Standard.

Táto norma bola oznámená vo Vestníku ÚNMS SR č. 11/15

Obsahuje: EN 16005:2012/AC:2015

**121813**

EUROPEAN STANDARD

**EN 16005:2012/AC**

NORME EUROPÉENNE

August 2015

EUROPÄISCHE NORM

Août 2015

August 2015

---

ICS 91.060.50

English version  
Version Française  
Deutsche Fassung

Power operated pedestrian doorsets - Safety in use - Requirements and  
test methods

Blocs-portes motorisés pour piétons -  
Sécurité d'utilisation - Exigences et  
méthodes d'essai

Kraftbetätigte Türen - Nutzungssicherheit -  
Anforderungen und Prüfverfahren

This corrigendum becomes effective on 12 August 2015 for incorporation in the three official language versions of the EN.

Ce corrigendum prendra effet le 12 août 2015 pour incorporation dans les trois versions linguistiques officielles de la EN.

Die Berichtigung tritt am 12. August 2015 zur Einarbeitung in die drei offiziellen Sprachfassungen der EN in Kraft.



EUROPEAN COMMITTEE FOR STANDARDIZATION  
COMITÉ EUROPÉEN DE NORMALISATION  
EUROPÄISCHES KOMITEE FÜR NORMUNG

**CEN-CENELEC Management Centre: Avenue Marnix 17, B-1000 Brussels**

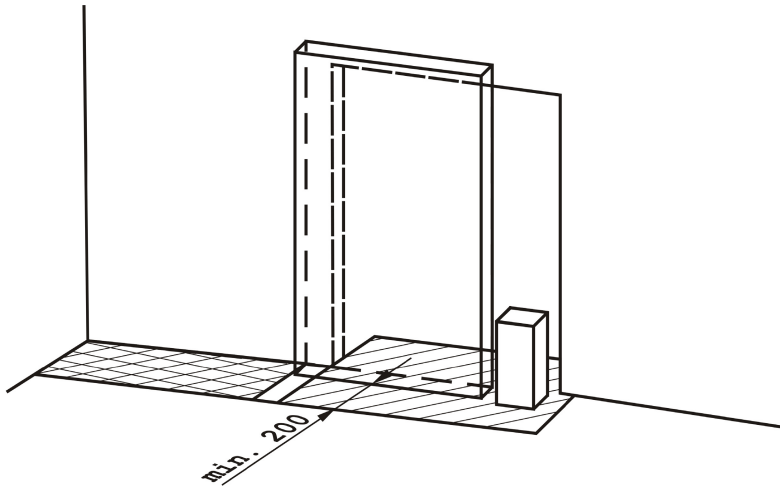
---

© 2015 CEN All rights of exploitation in any form and by any means reserved worldwide for CEN national Members.  
Tous droits d'exploitation sous quelque forme et de quelque manière que ce soit réservés dans le monde entier aux membres nationaux du CEN.  
Alle Rechte der Verwertung, gleich in welcher Form und in welchem Verfahren, sind weltweit den nationalen Mitgliedern von CEN vorbehalten.

**1 Modification to Annex C (normative), Test for protective devices**

Replace Figures C.2, C.3, C.4, C.5 and C.6 with the following ones:

“



**Key**

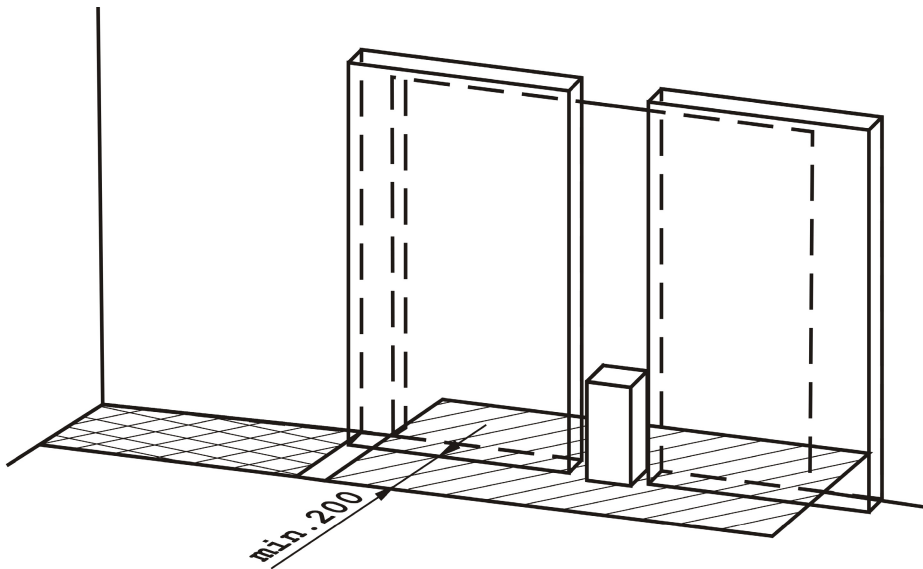


protection area



see 4.6.1 if applicable

**Figure C.2 — Single-leaf sliding doorset**



**Key**

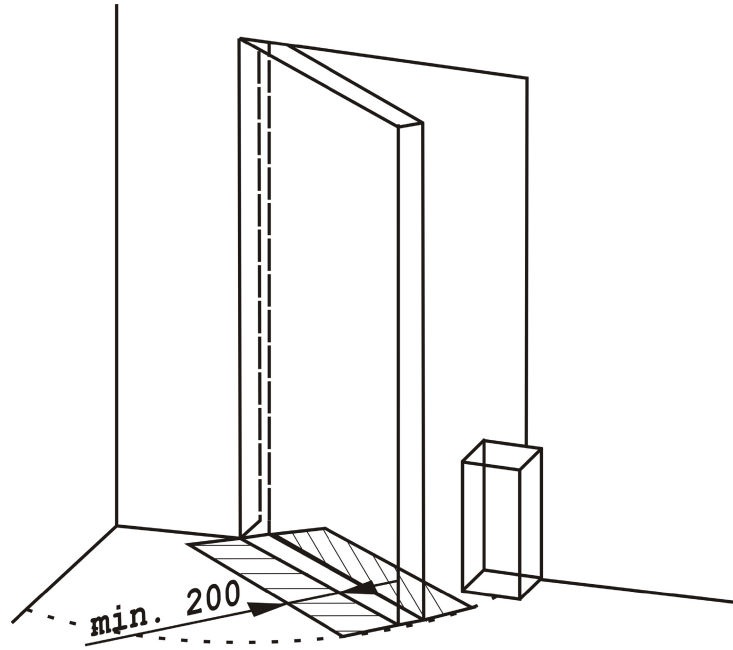


protection area



see 4.6.1 if applicable

**Figure C.3 — Double-leaf sliding doorset**

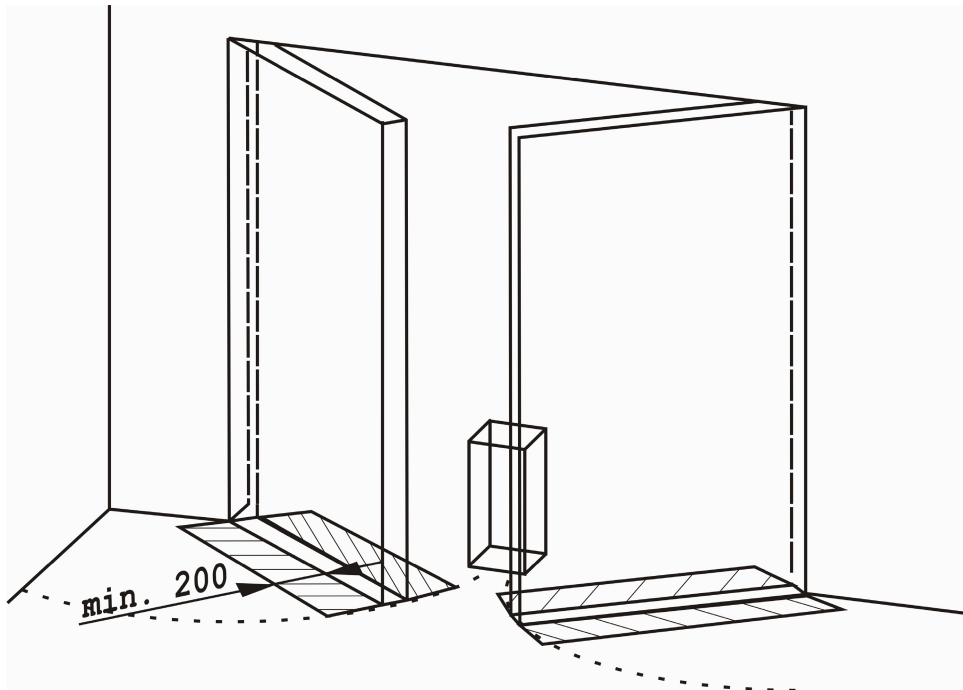


Key



protection area

Figure C.4 — Single-leaf swing doorset

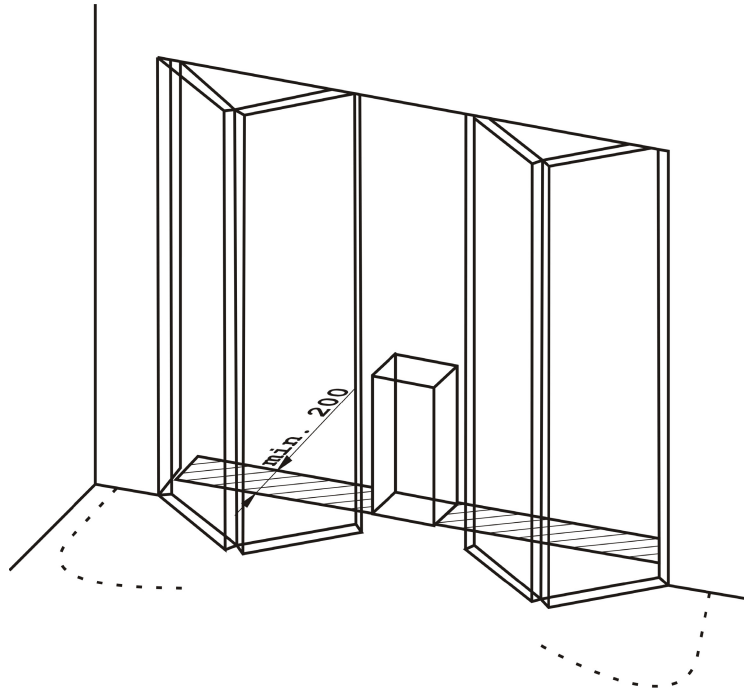


Key



protection area

Figure C.5 — Double-leaf swing doorset

**Key**

protection area

**Figure C.6 — Folding doorset**

## 2 Modifications to F.1, Speed settings for low energy power operated swing doorsets

*In the 1<sup>st</sup> sentence, add "leaf" after "doorset".*

*In the sentence just after Table F.1, replace "doorsets" with "doorset leaves".*

Replace the formula:

“

$$t = \frac{D\sqrt{m}}{2,26 \sqrt{J}}$$

where

- $t$  is the time, in s;
- $D$  is the doorset leaf width, in m;
- $m$  is the mass of the doorset leaf, in kg;
- 2,26 is the conversion factor.

with:

“

$$t = \frac{D \sqrt{m}}{2,26}$$

where

- $t$  is the time, in s;  
 $D$  is the doorset leaf width, in m;  
 $m$  is the mass of the doorset leaf, in kg;  
 2,26 is the conversion factor, in  $\sqrt{\text{joule}}$  .

”.

### 3 Modifications to F.2, Speed settings for low energy sliding doorsets

*In the title, add “power operated” before “sliding”.*

*In the regular paragraph after Table F.2, replace "doorsets" with " doorset leaves".*

*Replace the last line in the key of the second formula:*

“ $V$  is the doorset speed, in m/s.”

*with:*

“ $v$  is the doorset leaf speed, in m/s.”.