

STN	Prístrojové transformátory Časť 15: Dopĺňajúce požiadavky na transformátory jednosmerného napätia	STN EN IEC 61869-15 35 1309
------------	--	---

Instrument transformers - Part 15: Additional requirements for voltage transformers for DC applications

Táto norma obsahuje anglickú verziu európskej normy.
This standard includes the English version of the European Standard.

Táto norma bola oznámená vo Vestníku ÚNMS SR č. 10/19

Obsahuje: EN IEC 61869-15:2019, IEC 61869-15:2018

129693

EUROPEAN STANDARD

EN IEC 61869-15

NORME EUROPÉENNE

EUROPÄISCHE NORM

July 2019

ICS 17.220.20

English Version

**Instrument transformers - Part 15: Additional requirements for
voltage transformers for DC applications
(IEC 61869-15:2018)**

Transformateurs de mesure - Partie 15: Exigences
supplémentaires concernant les transformateurs de tension
pour application en courant continu
(IEC 61869-15:2018)

Messwandler - Teil 15: Besondere Anforderungen für
Gleichspannungswandler
(IEC 61869-15:2018)

This European Standard was approved by CENELEC on 2018-08-21. CENELEC members are bound to comply with the CEN/CENELEC Internal Regulations which stipulate the conditions for giving this European Standard the status of a national standard without any alteration.

Up-to-date lists and bibliographical references concerning such national standards may be obtained on application to the CEN-CENELEC Management Centre or to any CENELEC member.

This European Standard exists in three official versions (English, French, German). A version in any other language made by translation under the responsibility of a CENELEC member into its own language and notified to the CEN-CENELEC Management Centre has the same status as the official versions.

CENELEC members are the national electrotechnical committees of Austria, Belgium, Bulgaria, Croatia, Cyprus, the Czech Republic, Denmark, Estonia, Finland, France, Germany, Greece, Hungary, Iceland, Ireland, Italy, Latvia, Lithuania, Luxembourg, Malta, the Netherlands, Norway, Poland, Portugal, Republic of North Macedonia, Romania, Serbia, Slovakia, Slovenia, Spain, Sweden, Switzerland, Turkey and the United Kingdom.



European Committee for Electrotechnical Standardization
Comité Européen de Normalisation Electrotechnique
Europäisches Komitee für Elektrotechnische Normung

CEN-CENELEC Management Centre: Rue de la Science 23, B-1040 Brussels

EN IEC 61869-15:2019 (E)**European foreword**

The text of document 38/561/FDIS, future edition 1 of IEC 61869-15, prepared by IEC/TC 38 "Instrument transformers" was submitted to the IEC-CENELEC parallel vote and approved by CENELEC as EN IEC 61869-15:2019.

The following dates are fixed:

- latest date by which the document has to be implemented at national level by publication of an identical national standard or by endorsement (dop) 2020-01-05
- latest date by which the national standards conflicting with the document have to be withdrawn (dow) 2022-07-05

Attention is drawn to the possibility that some of the elements of this document may be the subject of patent rights. CENELEC shall not be held responsible for identifying any or all such patent rights.

Endorsement notice

The text of the International Standard IEC 61869-15:2018 was approved by CENELEC as a European Standard without any modification.

In the official version, for Bibliography, the following note has to be added for the standard indicated:

IEC 60358-1:2012 NOTE Harmonized as EN 60358-1:2012 (not modified)

Annex ZA (normative)

Normative references to international publications with their corresponding European publications

The following documents are referred to in the text in such a way that some or all of their content constitutes requirements of this document. For dated references, only the edition cited applies. For undated references, the latest edition of the referenced document (including any amendments) applies.

NOTE 1 Where an International Publication has been modified by common modifications, indicated by (mod), the relevant EN/HD applies.

NOTE 2 Up-to-date information on the latest versions of the European Standards listed in this annex is available here: www.cenelec.eu.

Clause 2 of IEC 61869-6:2016 is applicable, with the following additions:

<u>Publication</u>	<u>Year</u>	<u>Title</u>	<u>EN/HD</u>	<u>Year</u>
IEC/TS 60815-4	2019	Selection and dimensioning of high-voltage - insulators intended for use in polluted conditions - Part 4: Insulators for d.c. systems		-
IEC/TS 61245:2015	2015	Artificial pollution tests on high-voltage - ceramic and glass insulators to be used on d.c. systems		-
IEC 61869-1 (mod)	2007	Instrument transformers - Part 1: General requirements	EN 61869-1	2009
IEC 61869-6	2016	Instrument transformers - Part 6: Additional general requirements for low-power instrument transformers	EN 61869-6	2016
IEC 61869-9	2016	Instrument transformers - Part 9: Digital interface for instrument transformers	EN IEC 61869-9	2019



IEC 61869-15

Edition 1.0 2018-07

INTERNATIONAL STANDARD

NORME INTERNATIONALE



**Instrument transformers –
Part 15: Additional requirements for voltage transformers for DC applications**

**Transformateurs de mesure –
Partie 15: Exigences supplémentaires concernant les transformateurs de
tension pour application en courant continu**





THIS PUBLICATION IS COPYRIGHT PROTECTED
Copyright © 2018 IEC, Geneva, Switzerland

All rights reserved. Unless otherwise specified, no part of this publication may be reproduced or utilized in any form or by any means, electronic or mechanical, including photocopying and microfilm, without permission in writing from either IEC or IEC's member National Committee in the country of the requester. If you have any questions about IEC copyright or have an enquiry about obtaining additional rights to this publication, please contact the address below or your local IEC member National Committee for further information.

Droits de reproduction réservés. Sauf indication contraire, aucune partie de cette publication ne peut être reproduite ni utilisée sous quelque forme que ce soit et par aucun procédé, électronique ou mécanique, y compris la photocopie et les microfilms, sans l'accord écrit de l'IEC ou du Comité national de l'IEC du pays du demandeur. Si vous avez des questions sur le copyright de l'IEC ou si vous désirez obtenir des droits supplémentaires sur cette publication, utilisez les coordonnées ci-après ou contactez le Comité national de l'IEC de votre pays de résidence.

IEC Central Office
 3, rue de Varembe
 CH-1211 Geneva 20
 Switzerland

Tel.: +41 22 919 02 11
info@iec.ch
www.iec.ch

About the IEC

The International Electrotechnical Commission (IEC) is the leading global organization that prepares and publishes International Standards for all electrical, electronic and related technologies.

About IEC publications

The technical content of IEC publications is kept under constant review by the IEC. Please make sure that you have the latest edition, a corrigenda or an amendment might have been published.

IEC Catalogue - webstore.iec.ch/catalogue

The stand-alone application for consulting the entire bibliographical information on IEC International Standards, Technical Specifications, Technical Reports and other documents. Available for PC, Mac OS, Android Tablets and iPad.

IEC publications search - webstore.iec.ch/advsearchform

The advanced search enables to find IEC publications by a variety of criteria (reference number, text, technical committee,...). It also gives information on projects, replaced and withdrawn publications.

IEC Just Published - webstore.iec.ch/justpublished

Stay up to date on all new IEC publications. Just Published details all new publications released. Available online and also once a month by email.

Electropedia - www.electropedia.org

The world's leading online dictionary of electronic and electrical terms containing 21 000 terms and definitions in English and French, with equivalent terms in 16 additional languages. Also known as the International Electrotechnical Vocabulary (IEV) online.

IEC Glossary - std.iec.ch/glossary

67 000 electrotechnical terminology entries in English and French extracted from the Terms and Definitions clause of IEC publications issued since 2002. Some entries have been collected from earlier publications of IEC TC 37, 77, 86 and CISPR.

IEC Customer Service Centre - webstore.iec.ch/csc

If you wish to give us your feedback on this publication or need further assistance, please contact the Customer Service Centre: sales@iec.ch.

A propos de l'IEC

La Commission Electrotechnique Internationale (IEC) est la première organisation mondiale qui élabore et publie des Normes internationales pour tout ce qui a trait à l'électricité, à l'électronique et aux technologies apparentées.

A propos des publications IEC

Le contenu technique des publications IEC est constamment revu. Veuillez vous assurer que vous possédez l'édition la plus récente, un corrigendum ou amendement peut avoir été publié.

Catalogue IEC - webstore.iec.ch/catalogue

Application autonome pour consulter tous les renseignements bibliographiques sur les Normes internationales, Spécifications techniques, Rapports techniques et autres documents de l'IEC. Disponible pour PC, Mac OS, tablettes Android et iPad.

Recherche de publications IEC - webstore.iec.ch/advsearchform

La recherche avancée permet de trouver des publications IEC en utilisant différents critères (numéro de référence, texte, comité d'études,...). Elle donne aussi des informations sur les projets et les publications remplacées ou retirées.

IEC Just Published - webstore.iec.ch/justpublished

Restez informé sur les nouvelles publications IEC. Just Published détaille les nouvelles publications parues. Disponible en ligne et aussi une fois par mois par email.

Electropedia - www.electropedia.org

Le premier dictionnaire en ligne de termes électroniques et électriques. Il contient 21 000 termes et définitions en anglais et en français, ainsi que les termes équivalents dans 16 langues additionnelles. Egalement appelé Vocabulaire Electrotechnique International (IEV) en ligne.

Glossaire IEC - std.iec.ch/glossary

67 000 entrées terminologiques électrotechniques, en anglais et en français, extraites des articles Termes et Définitions des publications IEC parues depuis 2002. Plus certaines entrées antérieures extraites des publications des CE 37, 77, 86 et CISPR de l'IEC.

Service Clients - webstore.iec.ch/csc

Si vous désirez nous donner des commentaires sur cette publication ou si vous avez des questions contactez-nous: sales@iec.ch.



IEC 61869-15

Edition 1.0 2018-07

INTERNATIONAL STANDARD

NORME INTERNATIONALE



Instrument transformers –

Part 15: Additional requirements for voltage transformers for DC applications

Transformateurs de mesure –

Partie 15: Exigences supplémentaires concernant les transformateurs de tension pour application en courant continu

INTERNATIONAL
ELECTROTECHNICAL
COMMISSION

COMMISSION
ELECTROTECHNIQUE
INTERNATIONALE

ICS 17.220.20

ISBN 978-2-8322-5804-0

**Warning! Make sure that you obtained this publication from an authorized distributor.
Attention! Veuillez vous assurer que vous avez obtenu cette publication via un distributeur agréé.**

CONTENTS

FOREWORD.....	3
INTRODUCTION.....	6
1 Scope.....	8
2 Normative references	8
3 Terms, definitions, abbreviated terms and symbols.....	8
5 Ratings.....	12
6 Design and construction	15
7 Tests	20
Annex 15A (informative) Proposed rated insulation level applicable to voltage transformers for DC application.....	34
Bibliography.....	35
Figure 1501 – Position of the DCVT's in the DC scheme.....	6
Figure 1502 – Typical step responses of a system	10
Figure 1503 – Accuracy limits of a DCVT	14
Figure 1504 – RC divider with low-voltage part outside the main housing	25
Figure 1505 – Connection for voltage withstand test of the external low voltage part of a DCVT.....	26
Figure 1506 – Polarity reversal test profile.....	27
Figure 1507– Measurement of the step response time	29
Table 1501 – Voltage on DCVT's	6
Table 3 – Partial discharge test voltages and permissible levels	13
Table 1502 – Limits of ratio error for DCVT (classes from 0,1 to 3).....	14
Table 7 – Static withstand test loads.....	16
Table 8 – Arc fault duration and performance criteria	17
Table 1503 – Markings of terminals	18
Table 1504 – Rating plate marking for common rating plate	19
Table 1505 – Rating plate marking for each secondary converter	19
Table 1506 – Rating plate marking for auxiliary power supply	20
Table 10 – List of tests.....	21
Table 15A.1 – Proposed rated primary terminal insulation levels for voltage transformers for DC application.....	34

INTERNATIONAL ELECTROTECHNICAL COMMISSION

INSTRUMENT TRANSFORMERS –**Part 15: Additional requirements for
voltage transformers for DC applications**

FOREWORD

- 1) The International Electrotechnical Commission (IEC) is a worldwide organization for standardization comprising all national electrotechnical committees (IEC National Committees). The object of IEC is to promote international co-operation on all questions concerning standardization in the electrical and electronic fields. To this end and in addition to other activities, IEC publishes International Standards, Technical Specifications, Technical Reports, Publicly Available Specifications (PAS) and Guides (hereafter referred to as "IEC Publication(s)"). Their preparation is entrusted to technical committees; any IEC National Committee interested in the subject dealt with may participate in this preparatory work. International, governmental and non-governmental organizations liaising with the IEC also participate in this preparation. IEC collaborates closely with the International Organization for Standardization (ISO) in accordance with conditions determined by agreement between the two organizations.
- 2) The formal decisions or agreements of IEC on technical matters express, as nearly as possible, an international consensus of opinion on the relevant subjects since each technical committee has representation from all interested IEC National Committees.
- 3) IEC Publications have the form of recommendations for international use and are accepted by IEC National Committees in that sense. While all reasonable efforts are made to ensure that the technical content of IEC Publications is accurate, IEC cannot be held responsible for the way in which they are used or for any misinterpretation by any end user.
- 4) In order to promote international uniformity, IEC National Committees undertake to apply IEC Publications transparently to the maximum extent possible in their national and regional publications. Any divergence between any IEC Publication and the corresponding national or regional publication shall be clearly indicated in the latter.
- 5) IEC itself does not provide any attestation of conformity. Independent certification bodies provide conformity assessment services and, in some areas, access to IEC marks of conformity. IEC is not responsible for any services carried out by independent certification bodies.
- 6) All users should ensure that they have the latest edition of this publication.
- 7) No liability shall attach to IEC or its directors, employees, servants or agents including individual experts and members of its technical committees and IEC National Committees for any personal injury, property damage or other damage of any nature whatsoever, whether direct or indirect, or for costs (including legal fees) and expenses arising out of the publication, use of, or reliance upon, this IEC Publication or any other IEC Publications.
- 8) Attention is drawn to the Normative references cited in this publication. Use of the referenced publications is indispensable for the correct application of this publication.
- 9) Attention is drawn to the possibility that some of the elements of this IEC Publication may be the subject of patent rights. IEC shall not be held responsible for identifying any or all such patent rights.

International Standard IEC 61869-15 has been prepared by IEC technical committee 38: Instrument transformers.

The text of this standard is based on the following documents:

FDIS	Report on voting
38/561/FDIS	38/566/RVD

Full information on the voting for the approval of this International Standard can be found in the report on voting indicated in the above table.

This document has been drafted in accordance with the ISO/IEC Directives, Part 2.

A list of all parts in the IEC 61869 series, published under the general title *Instrument transformers*, can be found on the IEC website.

This Part 15 is to be used in conjunction with IEC 61869-1:2007, *General Requirements*, and IEC 61869-6:2016, *Additional general requirements for low-power instrument transformers* – however, the reader is encouraged to use the most recent edition.

This Part 15 follows the structure of IEC 61869-1:2007 and IEC 61869-6:2016 and supplements or modifies their corresponding clauses.

When a subclause of Part 1 or Part 6 is not mentioned in this Part 15, that subclause applies. When this standard states "addition", "modification" or "replacement", the relevant text in Part 1 or Part 6 is to be adapted accordingly.

For additional clauses, subclauses, figures, tables, annexes or notes, the following numbering system is used:

- clauses, subclauses, tables, figures and notes that are numbered starting from 1501 are additional to those in Part 1 and Part 6;
- additional annexes are lettered 15A, 15B, etc.

An overview of the planned set of standards at the date of publication of this document is given below. The updated list of standards issued by IEC TC 38 is available at the website: www.iec.ch.

PRODUCT FAMILY STANDARDS	PRODUCT STANDARD	PRODUCTS	OLD STANDARD	
61869-1 GENERAL REQUIREMENTS	61869-2	ADDITIONAL REQUIREMENTS FOR CURRENT TRANSFORMERS	60044-1 60044-6	
	61869-3	ADDITIONAL REQUIREMENTS FOR INDUCTIVE VOLTAGE TRANSFORMERS	60044-2	
	61869-4	ADDITIONAL REQUIREMENTS FOR COMBINED TRANSFORMERS	60044-3	
	61869-5	ADDITIONAL REQUIREMENTS FOR CAPACITIVE VOLTAGE TRANSFORMERS	60044-5	
	61869-6 ADDITIONAL GENERAL REQUIREMENTS FOR LOW-POWER INSTRUMENT TRANSFORMERS	61869-7	ADDITIONAL REQUIREMENTS FOR ELECTRONIC VOLTAGE TRANSFORMERS	60044-7
		61869-8	ADDITIONAL REQUIREMENTS FOR ELECTRONIC CURRENT TRANSFORMERS	60044-8
		61869-9	DIGITAL INTERFACE FOR INSTRUMENT TRANSFORMERS	
		61869-10	ADDITIONAL REQUIREMENTS FOR LOW-POWER PASSIVE CURRENT TRANSFORMERS	
		61869-11	ADDITIONAL REQUIREMENTS FOR LOW-POWER PASSIVE VOLTAGE TRANSFORMERS	60044-7
		61869-12	ADDITIONAL REQUIREMENTS FOR COMBINED ELECTRONIC INSTRUMENT TRANSFORMER OR COMBINED LOW-POWER PASSIVE TRANSFORMERS	
		61869-13	STAND ALONE MERGING UNIT	
		61869-14	ADDITIONAL REQUIREMENTS FOR CURRENT TRANSFORMERS FOR DC APPLICATIONS	
		61869-15	ADDITIONAL REQUIREMENTS FOR VOLTAGE TRANSFORMERS FOR DC APPLICATIONS	

The committee has decided that the contents of this document will remain unchanged until the stability date indicated on the IEC website under "<http://webstore.iec.ch>" in the data related to the specific document. At this date, the document will be

- reconfirmed,
- withdrawn,
- replaced by a revised edition, or
- amended.

IMPORTANT – The 'colour inside' logo on the cover page of this publication indicates that it contains colours which are considered to be useful for the correct understanding of its contents. Users should therefore print this document using a colour printer.

INTRODUCTION

This document applies to voltage transformers (VT) intended to be used in DC applications with the following functions:

- measure DC voltage (with significant harmonics);
- withstand DC voltage.

Two main technologies of DC converters exist today: LCC and VSC

- Line-commutated converters (LCC) are based on thyristor converters. They are characterized by a single direction of current flow, and a voltage polarity reversal possibility. Significant voltage and current harmonics exist up to frequencies of about 3 kHz to 4 kHz.
- Voltage source converters (VSC) are based on transistor converters. They are characterized by a bi-directional current flow and a single voltage polarity. Voltage and current harmonics exist up to frequencies of about 20 kHz.

The position of the DCVTs on the DC system is illustrated in Figure 1501.

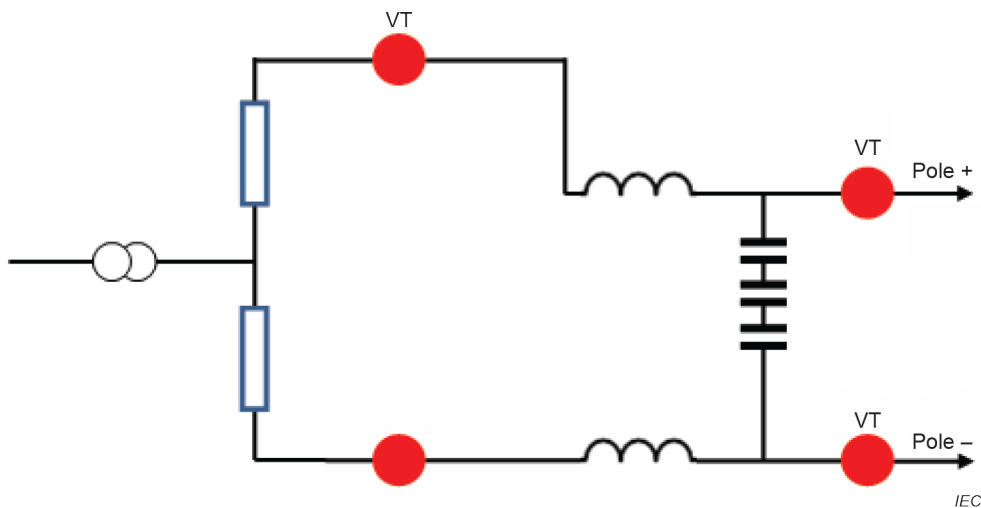



Figure 1501 – Position of the DCVT's in the DC scheme

Table 1501 gives an overview of the voltage waveshape as well as the main characteristics of the VT.

Table 1501 – Voltage on DCVT's

Voltage	Characteristics
	Pure DC application High-accuracy measurement Harmonics measurement Metering, control and protection purpose

The actual technology used for DCVT's are resistive voltage dividers (with or without additional capacitance). However, other technologies could be used in the future (for example, optical voltage sensors).

This document includes some specific requirements applicable to resistive voltage dividers, but can be applied to any technology.

INSTRUMENT TRANSFORMERS –

Part 15: Additional requirements for voltage transformers for DC applications

1 Scope

This part of IEC 61869 provides all requirements specific to voltage transformers to be used in DC applications (DCVTs), whatever the technology used. The output signal can be analogue or digital.

It is applicable to newly manufactured voltage transformers used for measuring, protection and/or control applications in DC power systems with a rated voltage above 1,5 kV.

This document covers passive voltage dividers as well as active voltage transformers, used for measurement, control and protection.

The general configuration of a single-pole low-power instrument transformer is described in Figure 601 of IEC 61869-6:2016.

2 Normative references

The following documents are referred to in the text in such a way that some or all of their content constitutes requirements of this document. For dated references, only the edition cited applies. For undated references, the latest edition of the referenced document (including any amendments) applies.

Clause 2 of IEC 61869-6:2016 is applicable, with the following additions:

IEC TS 60815-4:2016, *Selection and dimensioning of high-voltage insulators intended for use in polluted conditions – Part 4: Insulators for DC systems*

IEC TS 61245, *Artificial pollution tests on high-voltage ceramic and glass insulators to be used on DC systems*

IEC 61869-1:2007, *Instrument transformers – Part 1: General requirements*

IEC 61869-6:2016, *Instrument transformers – Part 6: Additional general requirements for low-power instrument transformers*

IEC 61869-9:2016, *Instrument transformers – Part 9: Digital interface for instrument transformers*

koniec náhľadu – text ďalej pokračuje v platenej verzii STN