

STN	Práce pod napětím Ručné náradie na použitie pri striedavom napätí do 1 000 V a pri jednosmernom napätí do 1 500 V Oprava AC2	STN EN IEC 60900/AC2 35 9704
------------	---	--

Live working - Hand tools for use up to 1 000 V AC and 1 500 V DC

Táto norma obsahuje anglickú verziu európskej normy.
This standard includes the English version of the European Standard.

Táto norma bola oznámená vo Vestníku ÚNMS SR č. 08/20

Obsahuje: EN IEC 60900:2018/AC May:2020, IEC 60900:2018/COR2:2020

131501

EUROPEAN STANDARD
NORME EUROPÉENNE
EUROPÄISCHE NORM

**EN IEC 60900:2018/
AC:2020-05**

May 2020

ICS 13.260; 29.240.20; 29.260.99

English Version

**Live working - Hand tools for use up to 1 000 V AC and
1 500 V DC
(IEC 60900:2018/COR2:2020)**

Travaux sous tension - Outils à main pour usage jusqu'à 1
000 V en courant alternatif et 1 500 V en courant continu
(IEC 60900:2018/COR2:2020)

To be completed
(IEC 60900:2018/COR2:2020)

This corrigendum becomes effective on 29 May 2020 for incorporation in the English language version of the EN.



European Committee for Electrotechnical Standardization
Comité Européen de Normalisation Electrotechnique
Europäisches Komitee für Elektrotechnische Normung

CEN-CENELEC Management Centre: Rue de la Science 23, B-1040 Brussels

Endorsement notice

The text of the corrigendum IEC 60900:2018/COR2:2020 was approved by CENELEC as EN IEC 60900:2018/AC:2020-05 without any modification.

IEC 60900:2018/COR2:2020
© IEC 2020

– 1 –

INTERNATIONAL ELECTROTECHNICAL COMMISSION
COMMISSION ÉLECTROTECHNIQUE INTERNATIONALE

IEC 60900
Edition 4.0 2018-06

IEC 60900
Édition 4.0 2018-06

LIVE WORKING – HAND TOOLS FOR USE UP TO
1 000 V AC AND 1 500 V DC

TRAVAUX SOUS TENSION – OUTILS À MAIN
POUR USAGE JUSQU'À 1 000 V EN COURANT
ALTERNATIF ET 1 500 V EN COURANT CONTINU

CORRIGENDUM 2

Figure 25 – Dummies for testing locking systems used with square drives of nominal size 12,5 mm of ISO 1174

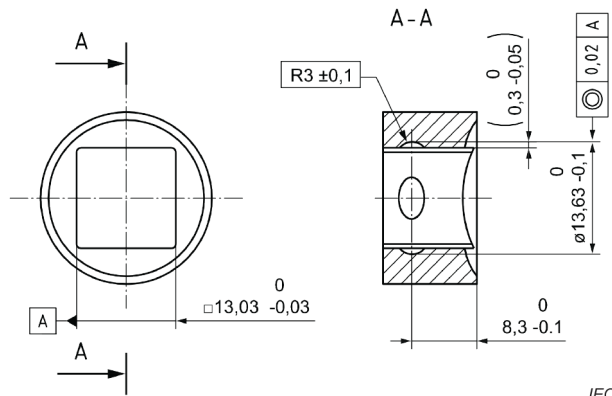
Figure 25 – Gabarits pour l'essai des systèmes de verrouillage utilisés avec des carrés conducteurs de dimension nominale 12,5 mm de l'ISO 1174

In Figure 25b – Dummy "MAX"

Dans la Figure 25b – Gabarit «MAX»

Replace "13,36" by "13,63" as follows:

Remplacer "13,36" par "13,63" comme suit:



IEC