

STN	Technológia palivových článkov Časť 8-201: Systémy na akumuláciu energie používajúce moduly palivových článkov v reverznom režime Skúšobné postupy pre prevádzkové vlastnosti systémov power-to-power	STN EN IEC 62282-8-201 36 4512
------------	--	--

Fuel cell technologies - Part 8-201: Energy storage systems using fuel cell modules in reverse mode - Test procedures for the performance of power-to-power systems

Táto norma obsahuje anglickú verziu európskej normy.
This standard includes the English version of the European Standard.

Táto norma bola oznámená vo Vestníku ÚNMS SR č. 08/20

Obsahuje: EN IEC 62282-8-201:2020, IEC 62282-8-201:2020

131511

EUROPEAN STANDARD

EN IEC 62282-8-201

NORME EUROPÉENNE

EUROPÄISCHE NORM

March 2020

ICS 27.070

English Version

**Fuel cell technologies - Part 8-201: Energy storage systems
using fuel cell modules in reverse mode - Test procedures for
the performance of power-to-power systems
(IEC 62282-8-201:2020)**

Technologies des piles à combustible - Partie 8-201:
Systèmes de stockage de l'énergie utilisant des modules à
piles à combustible en mode inversé - Procédures d'essai
pour la performance des systèmes électriques à électriques
(IEC 62282-8-201:2020)

Brennstoffzellentechnologien – Teil 8-201:
Energiespeichersysteme mit Brennstoffzellenmodulen im
reversiblen Betrieb – Prüfverfahren zum Leistungsverhalten
von Power-to-Power-Systemen
(IEC 62282-8-201:2020)

This European Standard was approved by CENELEC on 2020-02-14. CENELEC members are bound to comply with the CEN/CENELEC Internal Regulations which stipulate the conditions for giving this European Standard the status of a national standard without any alteration.

Up-to-date lists and bibliographical references concerning such national standards may be obtained on application to the CEN-CENELEC Management Centre or to any CENELEC member.

This European Standard exists in three official versions (English, French, German). A version in any other language made by translation under the responsibility of a CENELEC member into its own language and notified to the CEN-CENELEC Management Centre has the same status as the official versions.

CENELEC members are the national electrotechnical committees of Austria, Belgium, Bulgaria, Croatia, Cyprus, the Czech Republic, Denmark, Estonia, Finland, France, Germany, Greece, Hungary, Iceland, Ireland, Italy, Latvia, Lithuania, Luxembourg, Malta, the Netherlands, Norway, Poland, Portugal, Republic of North Macedonia, Romania, Serbia, Slovakia, Slovenia, Spain, Sweden, Switzerland, Turkey and the United Kingdom.



European Committee for Electrotechnical Standardization
Comité Européen de Normalisation Electrotechnique
Europäisches Komitee für Elektrotechnische Normung

CEN-CENELEC Management Centre: Rue de la Science 23, B-1040 Brussels

EN IEC 62282-8-201:2020 (E)**European foreword**

The text of document 105/764/FDIS, future edition 1 of IEC 62282-8-201, prepared by IEC/TC 105 "Fuel cell technologies" was submitted to the IEC-CENELEC parallel vote and approved by CENELEC as EN IEC 62282-8-201:2020.

The following dates are fixed:

- latest date by which the document has to be implemented at national level by publication of an identical national standard or by endorsement (dop) 2020-11-14
- latest date by which the national standards conflicting with the document have to be withdrawn (dow) 2023-02-14

Attention is drawn to the possibility that some of the elements of this document may be the subject of patent rights. CENELEC shall not be held responsible for identifying any or all such patent rights.

Endorsement notice

The text of the International Standard IEC 62282-8-201:2020 was approved by CENELEC as a European Standard without any modification.

In the official version, for Bibliography, the following notes have to be added for the standards indicated:

IEC 60079-0	NOTE	Harmonized as EN IEC 60079-0
IEC 60079-10-1	NOTE	Harmonized as EN 60079-10-1
IEC 60079-29-2	NOTE	Harmonized as EN 60079-29-2
IEC 60364 series	NOTE	Harmonized as HD 60364 series
IEC 61000-4-7	NOTE	Harmonized as EN 61000-4-7
IEC 61000-4-13	NOTE	Harmonized as EN 61000-4-13
IEC 61960-3	NOTE	Harmonized as EN 61960-3
IEC 61987-1	NOTE	Harmonized as EN 61987-1
IEC 62282-2	NOTE	Harmonized as EN 62282-2
IEC 62282-3-100	NOTE	Harmonized as EN 62282-3-100
IEC 62282-3-300	NOTE	Harmonized as EN 62282-3-300
IEC 62933-1:2018	NOTE	Harmonized as EN IEC 62933-1:2018 (not modified)
ISO 15839	NOTE	Harmonized as EN ISO 15839

Annex ZA (normative)

Normative references to international publications with their corresponding European publications

The following documents are referred to in the text in such a way that some or all of their content constitutes requirements of this document. For dated references, only the edition cited applies. For undated references, the latest edition of the referenced document (including any amendments) applies.

NOTE 1 Where an International Publication has been modified by common modifications, indicated by (mod), the relevant EN/HD applies.

NOTE 2 Up-to-date information on the latest versions of the European Standards listed in this annex is available here: www.cenelec.eu.

<u>Publication</u>	<u>Year</u>	<u>Title</u>	<u>EN/HD</u>	<u>Year</u>
IEC 61427-1	-	Secondary cells and batteries for renewable energy storage - General requirements and methods of test - Part 1: Photovoltaic off-grid application	EN 61427-1	-
IEC 61427-2	-	Secondary cells and batteries for renewable energy storage - General requirements and methods of test - Part 2: On-grid applications	EN 61427-2	-
IEC 62282-3-200	-	Fuel cell technologies - Part 3-200: Stationary fuel cell power systems - Performance test methods	EN 62282-3-200	-
IEC 62282-3-201	-	Fuel cell technologies - Part 3-201: Stationary fuel cell power systems - Performance test methods for small fuel cell power systems	EN 62282-3-201	-
IEC 62282-8-101	-	Fuel cell technologies - Part 8-101: Energy storage systems using fuel cell modules in reverse mode - Test procedures for the performance of solid oxide single cells and stacks, including reversible operation	-	-
IEC 62282-8-102	-	Fuel cell technologies - Part 8-102: Energy storage systems using fuel cell modules in reverse mode - Test procedures for the performance of single cells and stacks with proton exchange membrane, including reversible operation	EN IEC 62282-8-102 ¹	-
IEC 62933-2-1	2017	Electrical energy storage (EES) systems - Part 2-1: Unit parameters and testing methods - General specification	EN IEC 62933-2-1	2018

¹ To be published. Stage at the time of publication: prEN IEC 62282-8-102:2018.

EN IEC 62282-8-201:2020 (E)

ISO/IEC Guide 98-3	-	Uncertainty of measurement - Part 3: Guide to the expression of uncertainty in measurement (GUM:1995)	-	-
ISO 3746	-	Acoustics - Determination of sound power levels and sound energy levels of noise sources using sound pressure - Survey method using an enveloping measurement surface over a reflecting plane	EN ISO 3746	-
ISO 4064-1	-	Water meters for cold potable water and hot water - Part 1: Metrological and technical requirements	EN ISO 4064-1	-
ISO 4064-2	-	Water meters for cold potable water and hot water - Part 2: Test methods	EN ISO 4064-2	-
ISO 7888	-	Water quality - Determination of electrical conductivity	EN 27888	-
ISO 9614-1	-	Acoustics - Determination of sound power levels of noise sources using sound intensity - Part 1: Measurement at discrete points	EN ISO 9614-1	-
ISO 11204	-	Acoustics - Noise emitted by machinery and equipment - Determination of emission sound pressure levels at a work station and at other specified positions applying accurate environmental corrections	EN ISO 11204	-
ISO 16111	-	Transportable gas storage devices - Hydrogen absorbed in reversible metal hydride	-	-
ISO 19880-1	-	Gaseous hydrogen - Fuelling stations - Part 1: General requirements	-	-
ISO 19881	-	Gaseous hydrogen - Land vehicle fuel containers	-	-
ISO 19882	-	Gaseous hydrogen - Thermally activated pressure relief devices for compressed hydrogen vehicle fuel containers	-	-
ISO 19884	-	Gaseous hydrogen - Cylinders and tubes for stationary storage	EN ISO 19884 ²	-
ISO 22734-1	-	Hydrogen generators using water electrolysis process - Part 1: Industrial and commercial applications	-	-
ISO 22734-2	-	Hydrogen generators using water electrolysis process - Part 2: Residential applications	-	-

² To be published. Stage at the time of publication: FprEN ISO 19884:2019.



IEC 62282-8-201

Edition 1.0 2020-01

INTERNATIONAL STANDARD

NORME INTERNATIONALE



**Fuel cell technologies –
Part 8-201: Energy storage systems using fuel cell modules in reverse mode –
Test procedures for the performance of power-to-power systems**

**Technologies des piles à combustible –
Partie 8-201: Systèmes de stockage de l'énergie utilisant des modules à piles à
combustible en mode inversé – Procédures d'essai pour la performance des
systèmes électriques à électriques**



THIS PUBLICATION IS COPYRIGHT PROTECTED

Copyright © 2020 IEC, Geneva, Switzerland

All rights reserved. Unless otherwise specified, no part of this publication may be reproduced or utilized in any form or by any means, electronic or mechanical, including photocopying and microfilm, without permission in writing from either IEC or IEC's member National Committee in the country of the requester. If you have any questions about IEC copyright or have an enquiry about obtaining additional rights to this publication, please contact the address below or your local IEC member National Committee for further information.

Droits de reproduction réservés. Sauf indication contraire, aucune partie de cette publication ne peut être reproduite ni utilisée sous quelque forme que ce soit et par aucun procédé, électronique ou mécanique, y compris la photocopie et les microfilms, sans l'accord écrit de l'IEC ou du Comité national de l'IEC du pays du demandeur. Si vous avez des questions sur le copyright de l'IEC ou si vous désirez obtenir des droits supplémentaires sur cette publication, utilisez les coordonnées ci-après ou contactez le Comité national de l'IEC de votre pays de résidence.

IEC Central Office
3, rue de Varembe
CH-1211 Geneva 20
Switzerland

Tel.: +41 22 919 02 11
info@iec.ch
www.iec.ch

About the IEC

The International Electrotechnical Commission (IEC) is the leading global organization that prepares and publishes International Standards for all electrical, electronic and related technologies.

About IEC publications

The technical content of IEC publications is kept under constant review by the IEC. Please make sure that you have the latest edition, a corrigendum or an amendment might have been published.

IEC publications search - webstore.iec.ch/advsearchform

The advanced search enables to find IEC publications by a variety of criteria (reference number, text, technical committee,...). It also gives information on projects, replaced and withdrawn publications.

IEC Just Published - webstore.iec.ch/justpublished

Stay up to date on all new IEC publications. Just Published details all new publications released. Available online and once a month by email.

IEC Customer Service Centre - webstore.iec.ch/csc

If you wish to give us your feedback on this publication or need further assistance, please contact the Customer Service Centre: sales@iec.ch.

Electropedia - www.electropedia.org

The world's leading online dictionary on electrotechnology, containing more than 22 000 terminological entries in English and French, with equivalent terms in 16 additional languages. Also known as the International Electrotechnical Vocabulary (IEV) online.

IEC Glossary - std.iec.ch/glossary

67 000 electrotechnical terminology entries in English and French extracted from the Terms and Definitions clause of IEC publications issued since 2002. Some entries have been collected from earlier publications of IEC TC 37, 77, 86 and CISPR.

A propos de l'IEC

La Commission Electrotechnique Internationale (IEC) est la première organisation mondiale qui élabore et publie des Normes internationales pour tout ce qui a trait à l'électricité, à l'électronique et aux technologies apparentées.

A propos des publications IEC

Le contenu technique des publications IEC est constamment revu. Veuillez vous assurer que vous possédez l'édition la plus récente, un corrigendum ou amendement peut avoir été publié.

Recherche de publications IEC -

webstore.iec.ch/advsearchform

La recherche avancée permet de trouver des publications IEC en utilisant différents critères (numéro de référence, texte, comité d'études,...). Elle donne aussi des informations sur les projets et les publications remplacées ou retirées.

IEC Just Published - webstore.iec.ch/justpublished

Restez informé sur les nouvelles publications IEC. Just Published détaille les nouvelles publications parues. Disponible en ligne et une fois par mois par email.

Service Clients - webstore.iec.ch/csc

Si vous désirez nous donner des commentaires sur cette publication ou si vous avez des questions contactez-nous: sales@iec.ch.

Electropedia - www.electropedia.org

Le premier dictionnaire d'électrotechnologie en ligne au monde, avec plus de 22 000 articles terminologiques en anglais et en français, ainsi que les termes équivalents dans 16 langues additionnelles. Egalement appelé Vocabulaire Electrotechnique International (IEV) en ligne.

Glossaire IEC - std.iec.ch/glossary

67 000 entrées terminologiques électrotechniques, en anglais et en français, extraites des articles Termes et Définitions des publications IEC parues depuis 2002. Plus certaines entrées antérieures extraites des publications des CE 37, 77, 86 et CISPR de l'IEC.



IEC 62282-8-201

Edition 1.0 2020-01

INTERNATIONAL STANDARD

NORME INTERNATIONALE



**Fuel cell technologies –
Part 8-201: Energy storage systems using fuel cell modules in reverse mode –
Test procedures for the performance of power-to-power systems**

**Technologies des piles à combustible –
Partie 8-201: Systèmes de stockage de l'énergie utilisant des modules à piles à
combustible en mode inversé – Procédures d'essai pour la performance des
systèmes électriques à électriques**

INTERNATIONAL
ELECTROTECHNICAL
COMMISSION

COMMISSION
ELECTROTECHNIQUE
INTERNATIONALE

ICS 27.070

ISBN 978-2-8322-7685-3

**Warning! Make sure that you obtained this publication from an authorized distributor.
Attention! Veuillez vous assurer que vous avez obtenu cette publication via un distributeur agréé.**

CONTENTS

FOREWORD.....	4
INTRODUCTION.....	6
1 Scope.....	7
2 Normative references	8
3 Terms, definitions and symbols	9
3.1 Terms and definitions.....	9
3.2 Symbols.....	13
4 Measurement instruments and measurement methods.....	14
4.1 General.....	14
4.2 Instrument uncertainty	15
4.3 Measurement plan	15
4.4 Environmental conditions	16
4.5 Maximum permissible variation in test operating conditions	17
5 System parameters.....	17
5.1 General.....	17
5.2 Electric energy storage capacity	17
5.3 Rated electric power input	18
5.4 Rated net electric power output.....	18
5.5 Roundtrip electrical efficiency	18
5.6 System response (step response time and ramp rate).....	18
5.6.1 Step response time.....	18
5.6.2 Ramp rate	19
5.7 Minimum switchover time	20
5.8 Quiescent state loss rate	20
5.9 Heat input rate	20
5.10 Recovered heat output rate.....	20
5.11 Acoustic noise level	20
5.12 Total harmonic distortion.....	20
5.13 Discharge water quality.....	21
6 Test methods and procedures	21
6.1 General.....	21
6.2 Electric energy storage capacity test.....	21
6.3 Rated electric power input test.....	22
6.4 Rated net electric power output test.....	22
6.5 Roundtrip electrical efficiency test	23
6.6 Other system performance test	23
6.6.1 System response test, step response time and ramp rate	23
6.6.2 Minimum switchover time test.....	25
6.6.3 Quiescent state loss rate test	25
6.6.4 Heat input rate test	26
6.6.5 Recovered heat output rate test.....	26
6.6.6 Acoustic noise level test	26
6.6.7 Total harmonic distortion test.....	27
6.6.8 Discharge water quality test.....	27
6.7 Component performance test	27
6.7.1 Electrolyser performance test	27

6.7.2	Hydrogen storage performance test	28
6.7.3	Fuel cell performance test	28
6.7.4	Water management system performance test	29
6.7.5	Battery performance test	29
6.7.6	Oxygen storage performance test	29
7	Test reports	29
7.1	General.....	29
7.2	Report items	29
7.3	Tested system data description.....	30
7.4	Test condition description	30
7.5	Test data description	30
7.6	Uncertainty evaluation	30
	Bibliography.....	31
	Figure 1 – System configuration of electric energy storage system using hydrogen – Type with electrolyser and fuel cell.....	7
	Figure 2 – System configuration of electric energy storage system using hydrogen – Type with reversible cell	8
	Figure 3 – Typical sequence of phases during the system operation	16
	Figure 4 – Step response time and ramp rate of EES system.....	19
	Figure 5 – Step response test	24
	Figure 6 – Minimum switch over time test	25
	Table 1 – Symbols	14
	Table 2 – Required steps before executing the measurement	16
	Table 3 – Example of document format of roundtrip electrical efficiency.....	23
	Table 4 – Additional parameters measured on the electrolyser or the reversible cell module in electrolysis mode.....	27
	Table 5 – Additional parameters measured on the hydrogen storage component	28
	Table 6 – Additional parameters measured on the fuel cell or the reversible cell module in fuel cell mode	28

INTERNATIONAL ELECTROTECHNICAL COMMISSION

FUEL CELL TECHNOLOGIES –

Part 8-201: Energy storage systems using fuel cell modules in reverse mode – Test procedures for the performance of power-to-power systems

FOREWORD

- 1) The International Electro technical Commission (IEC) is a worldwide organization for standardization comprising all national electro technical committees (IEC National Committees). The object of IEC is to promote international co-operation on all questions concerning standardization in the electrical and electronic fields. To this end and in addition to other activities, IEC publishes International Standards, Technical Specifications, Technical Reports, Publicly Available Specifications (PAS) and Guides (hereafter referred to as "IEC Publication(s)"). Their preparation is entrusted to technical committees; any IEC National Committee interested in the subject dealt with may participate in this preparatory work. International, governmental and non-governmental organizations liaising with the IEC also participate in this preparation. IEC collaborates closely with the International Organization for Standardization (ISO) in accordance with conditions determined by agreement between the two organizations.
- 2) The formal decisions or agreements of IEC on technical matters express, as nearly as possible, an international consensus of opinion on the relevant subjects since each technical committee has representation from all interested IEC National Committees.
- 3) IEC Publications have the form of recommendations for international use and are accepted by IEC National Committees in that sense. While all reasonable efforts are made to ensure that the technical content of IEC Publications is accurate, IEC cannot be held responsible for the way in which they are used or for any misinterpretation by any end user.
- 4) In order to promote international uniformity, IEC National Committees undertake to apply IEC Publications transparently to the maximum extent possible in their national and regional publications. Any divergence between any IEC Publication and the corresponding national or regional publication shall be clearly indicated in the latter.
- 5) IEC itself does not provide any attestation of conformity. Independent certification bodies provide conformity assessment services and, in some areas, access to IEC marks of conformity. IEC is not responsible for any services carried out by independent certification bodies.
- 6) All users should ensure that they have the latest edition of this publication.
- 7) No liability shall attach to IEC or its directors, employees, servants or agents including individual experts and members of its technical committees and IEC National Committees for any personal injury, property damage or other damage of any nature whatsoever, whether direct or indirect, or for costs (including legal fees) and expenses arising out of the publication, use of, or reliance upon, this IEC Publication or any other IEC Publications.
- 8) Attention is drawn to the normative references cited in this publication. Use of the referenced publications is indispensable for the correct application of this publication.
- 9) Attention is drawn to the possibility that some of the elements of this IEC Publication may be the subject of patent rights. IEC shall not be held responsible for identifying any or all such patent rights.

International Standard IEC 62282-8-201 has been prepared by IEC technical committee 105: Fuel cell technologies.

The text of this International Standard is based on the following documents:

FDIS	Report on voting
105/764/FDIS	105/777/RVD

Full information on the voting for the approval of this International Standard can be found in the report on voting indicated in the above table.

This document has been drafted in accordance with the ISO/IEC Directives, Part 2.

A list of all parts in the IEC 62282 series, published under the general title *Fuel cell technologies*, can be found on the IEC website.

The committee has decided that the contents of this document will remain unchanged until the stability date indicated on the IEC website under "<http://webstore.iec.ch>" in the data related to the specific document. At this date, the document will be

- reconfirmed,
- withdrawn,
- replaced by a revised edition, or
- amended.

IMPORTANT – The 'colour inside' logo on the cover page of this publication indicates that it contains colours which are considered to be useful for the correct understanding of its contents. Users should therefore print this document using a colour printer.

INTRODUCTION

This part of IEC 62282 describes performance evaluation methods for electric energy storage systems using hydrogen that employ electrochemical reactions both for water/steam electrolysis and electric generation.

This document is intended for power to power systems which typically employ a set of electrolyser and fuel cell, or a reversible cell for devices of electric charge and discharge.

A typical targeting application of the electric energy storage systems using hydrogen is in the class of energy intensive electric energy storage. The systems are recognized as critically useful for the relatively long-term power storage operation, such as efficient storage and supply of the renewable power derived electric energy and grid stabilization.

IEC 62282-8 (all parts) aims to develop performance test methods for power storage and buffering systems based on electrochemical modules (combining electrolysis and fuel cells, in particular reversible cells), taking into consideration both options of re-electrification and substance (and heat) production for sustainable integration of renewable energy sources.

Under the general title *Energy storage systems using fuel cell modules in reverse mode*, the IEC 62282-8 series consists of the following parts:

- IEC 62282-8-101: *Test procedures for the performance of solid oxide single cells and stacks, including reversible operation*
- IEC 62282-8-102: *Test procedures for the performance of single cells and stacks with proton exchange membranes, including reversible operation*
- IEC 62282-8-103¹: *Alkaline single cell and stack performance including reversible operation*
- IEC 62282-8-201: *Test procedures for the performance of power-to-power systems*
- IEC 62282-8-202²: *Power-to-power systems – Safety*
- IEC 62282-8-300 (all parts)³: *Power-to-substance systems*

As a priority dictated by the emerging needs for industry and opportunities for technological development, IEC 62282-8-101, IEC 62282-8-102 and IEC 62282-8-201 have been initiated jointly and firstly. These parts are presented as a package to highlight the need for an integrated approach as regards the system's application (i.e. a solution for energy storage) and its fundamental constituent components (i.e. fuel cells operated in reverse or reversing mode).

IEC 62282-8-103, IEC 62282-8-202 and IEC 62282-8-300 (all parts) are suggested but are left for initiation at a later stage.

1 Under consideration.

2 Under consideration.

3 Under consideration.

FUEL CELL TECHNOLOGIES –

Part 8-201: Energy storage systems using fuel cell modules in reverse mode – Test procedures for the performance of power-to-power systems

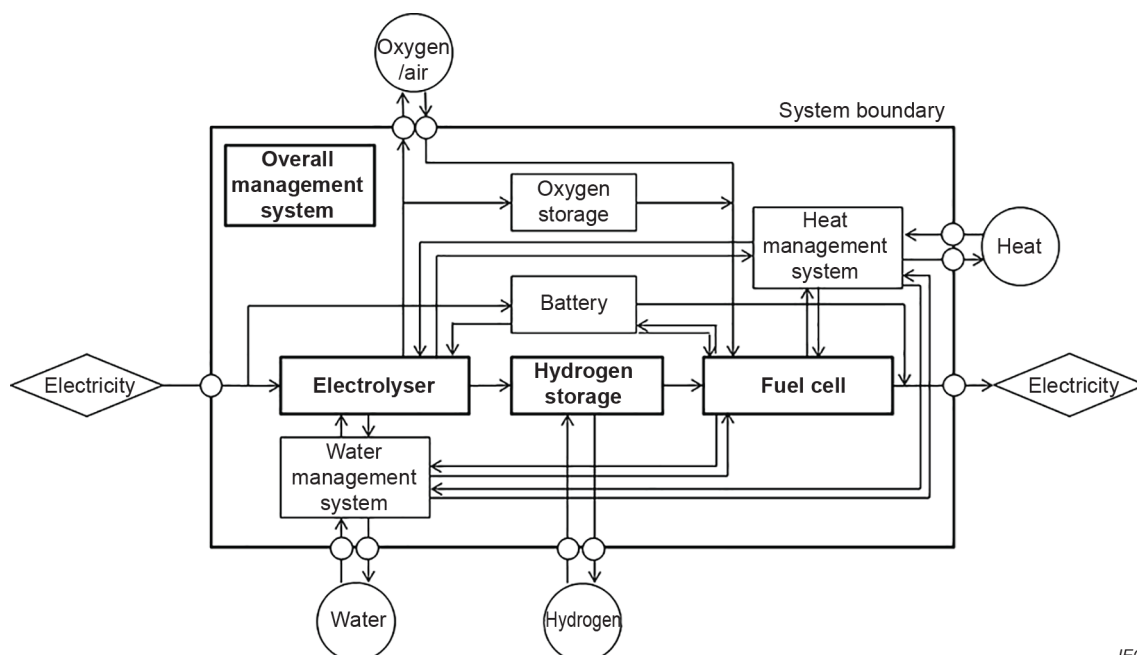
1 Scope

This part of IEC 62282 defines the evaluation methods of typical performances for electric energy storage systems using hydrogen. This is applicable to the systems that use electrochemical reaction devices for both power charge and discharge. This document applies to systems that are designed and used for service and operation in stationary locations (indoor and outdoor).

The conceptual configurations of the electric energy storage systems using hydrogen are shown in Figure 1 and Figure 2. Figure 1 shows the system independently equipped with an electrolyser module and a fuel cell module. Figure 2 shows the system equipped with a reversible cell module. There are an electrolyser, a hydrogen storage and a fuel cell, or a reversible cell, a hydrogen storage and an overall management system (which may include a pressure management) as indispensable components. There may be a battery, an oxygen storage, a heat management system (which may include a heat storage) and a water management system (which may include a water storage) as optional components. The performance measurement is executed in the area surrounded by the outside thick solid line square (system boundary).

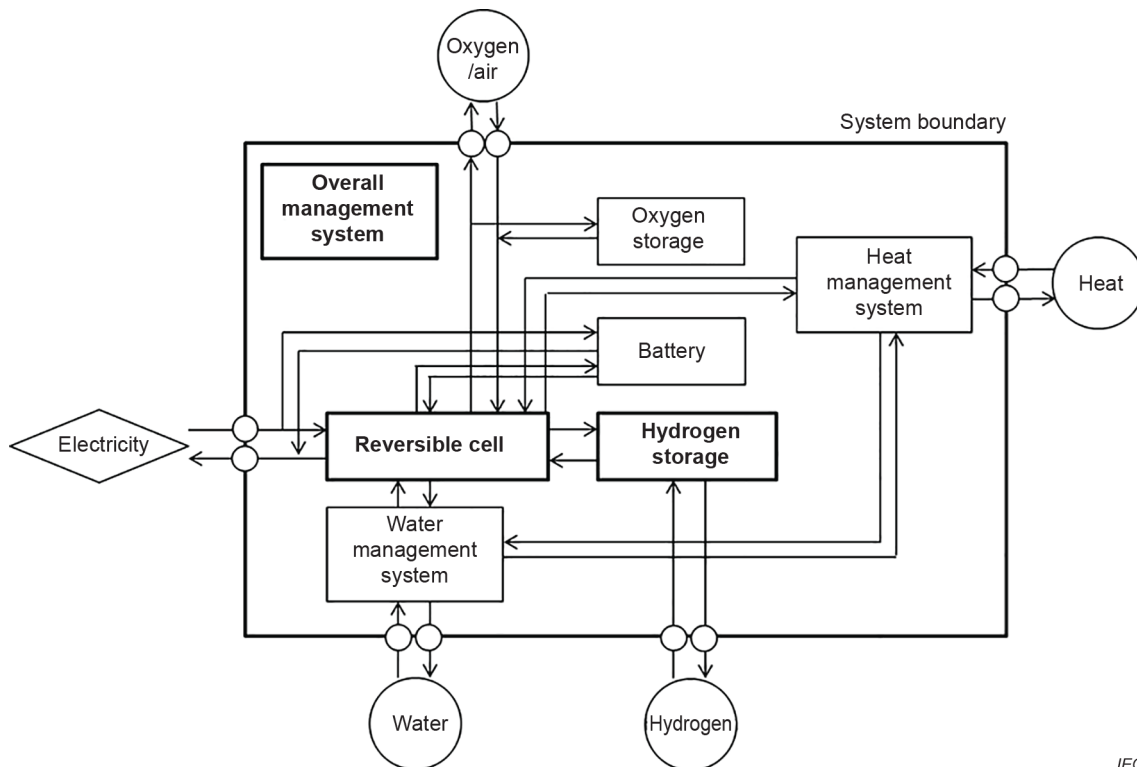
NOTE In the context of this document, the term "reversible" does not refer to the thermodynamic meaning of an ideal process. It is common practice in the fuel cell community to call the operation mode of a cell that alternates between fuel cell mode and electrolysis mode "reversible".

This document is intended to be used for data exchanges in commercial transactions between the system manufacturers and customers. Users of this document can selectively execute test items suitable for their purposes from those described in this document.



IEC

Figure 1 – System configuration of electric energy storage system using hydrogen – Type with electrolyser and fuel cell



IEC

Figure 2 – System configuration of electric energy storage system using hydrogen – Type with reversible cell

2 Normative references

The following documents are referred to in the text in such a way that some or all of their content constitutes requirements of this document. For dated references, only the edition cited applies. For undated references, the latest edition of the referenced document (including any amendments) applies.

IEC 61427-1, *Secondary cells and batteries for renewable energy storage – General requirements and methods of test – Part 1: Photovoltaic off-grid application*

IEC 61427-2, *Secondary cells and batteries for renewable energy storage – General requirements and methods of test – Part 2: On-grid applications*

IEC 62282-3-200, *Fuel cell technologies – Part 3-200: Stationary fuel cell power systems – Performance test methods*

IEC 62282-3-201, *Fuel cell technologies – Part 3-201: Stationary fuel cell power systems – Performance test methods for small fuel cell power systems*

IEC 62282-8-101, *Fuel cell technologies – Part 8-101: Energy storage systems using fuel cell modules in reverse mode – Solid oxide single cell and stack performance including reversible operation*

IEC 62282-8-102, *Fuel cell technologies – Part 8-102: Energy storage systems using fuel cell modules in reverse mode – Test procedures for PEM single cell and stack performance including reversible operation*

IEC 62933-2-1:2017, *Electrical energy storage (EES) systems – Part 2-1: Unit parameters and testing methods – General specification*

ISO/IEC Guide 98-3, *Uncertainty of measurement – Part 3: Guide to the expression of uncertainty in measurement (GUM:1995)*

ISO 3746, *Acoustics – Determination of sound power levels and sound energy levels of noise sources using sound pressure – Survey method using an enveloping measurement surface over a reflecting plane*

ISO 4064-1, *Water meters for cold potable water and hot water – Part 1: Metrological and technical requirements*

ISO 4064-2, *Water meters for cold potable water and hot water – Part 2: Test methods*

ISO 7888, *Water quality – Determination of electrical conductivity*

ISO 9614-1, *Acoustics – Determination of sound power levels of noise sources using sound intensity – Part 1: Measurement at discrete points*

ISO 11204, *Acoustics – Noise emitted by machinery and equipment – Determination of emission sound pressure levels at a work station and at other specified positions applying accurate environmental corrections*

ISO 16111, *Transportable gas storage devices – Hydrogen absorbed in reversible metal hydride*

ISO 19880-1, *Gaseous hydrogen – Fuelling stations – Part 1: General requirements*

ISO 19881, *Gaseous hydrogen – Land vehicle fuel containers*

ISO 19882, *Gaseous hydrogen – Thermally activated pressure relief devices for compressed hydrogen vehicle fuel containers*

ISO 19884, *Gaseous hydrogen – Cylinders and tubes for stationary storage*

ISO 22734-1, *Hydrogen generators using water electrolysis process – Part 1: Industrial and commercial applications*

ISO 22734-2, *Hydrogen generators using water electrolysis process – Part 2: Residential applications*

koniec náhľadu – text ďalej pokračuje v platenej verzii STN