

<b>STN</b>	<b>Elektrické ručné náradie, prenosné náradie a strojové zariadenia pre trávnik a záhradu Bezpečnosť</b> <b>Časť 4-7: Osobitné požiadavky na ručne vedené vertikutátory a prevzdušňovače trávnikov Oprava AC</b>	<b>STN EN IEC 62841-4-7/AC</b>  36 1560
------------	---	---

Electric motor-operated hand-held tools, transportable tools and lawn and garden machinery - Safety - Part 4-7: Particular requirements for pedestrian controlled walk-behind lawn scarifiers and aerators

Táto norma obsahuje anglickú verziu európskej normy.  
This standard includes the English version of the European Standard.

Táto norma bola oznámená vo Vestníku ÚNMS SR č. 07/23

Obsahuje: EN IEC 62841-4-7:2022/AC:2023, IEC 62841-4-7:2022/COR1:2023

**137096**



EUROPEAN STANDARD  
NORME EUROPÉENNE  
EUROPÄISCHE NORM

**EN IEC 62841-4-  
7:2022/AC:2023-05**

May 2023

---

ICS 25.140.30

English Version

**Electric motor-operated hand-held tools, transportable tools and  
lawn and garden machinery - Safety - Part 4-7: Particular  
requirements for pedestrian controlled walk-behind lawn  
scarifiers and aerators  
(IEC 62841-4-7:2022/COR1:2023)**

Outils électroportatifs à moteur, outils portables et machines  
pour jardins et pelouses - Sécurité - Partie 4-7: Exigences  
particulières pour les scarificateurs à gazon et les aérateurs  
de gazon à conducteur à pied  
(IEC 62841-4-7:2022/COR1:2023)

Elektrische motorbetriebene handgeführte Werkzeuge,  
transportable Werkzeuge und Rasen- und  
Gartenmaschinen - Sicherheit - Teil 4-7: Besondere  
Anforderungen für personengeführte Rasenvertikutierer und  
Rasenbelüfter  
(IEC 62841-4-7:2022/COR1:2023)

This corrigendum becomes effective on 12 May 2023 for incorporation in the English language version of the EN.



European Committee for Electrotechnical Standardization  
Comité Européen de Normalisation Electrotechnique  
Europäisches Komitee für Elektrotechnische Normung

**CEN-CENELEC Management Centre: Rue de la Science 23, B-1040 Brussels**

### **Endorsement notice**

The text of the corrigendum IEC 62841-4-7:2022/COR1:2023 was approved by CENELEC as EN IEC 62841-4-7:2022/AC:2023-05 without any modification.

IEC 62841-4-7:2022/COR1:2023  
© IEC 2023

– 1 –

INTERNATIONAL ELECTROTECHNICAL COMMISSION  
COMMISSION ÉLECTROTECHNIQUE INTERNATIONALE

---

**IEC 62841-4-7**  
Edition 1.0 2022-07

**IEC 62841-4-7**  
Édition 1.0 2022-07

**ELECTRIC MOTOR-OPERATED HAND-HELD  
TOOLS, TRANSPORTABLE TOOLS AND LAWN  
AND GARDEN MACHINERY – SAFETY –**

**OUTILS ELECTROPORTATIFS A MOTEUR,  
OUTILS PORTABLES ET MACHINES POUR  
JARDINS ET PELOUSES – SECURITE –**

**Part 4-7: Particular requirements for  
pedestrian controlled walk-behind lawn  
scarifiers and aerators**

**Partie 4-7: Exigences particulières pour les  
scarificateurs à gazon et les aérateurs de  
gazon à conducteur à pied**

## **C O R R I G E N D U M 1**

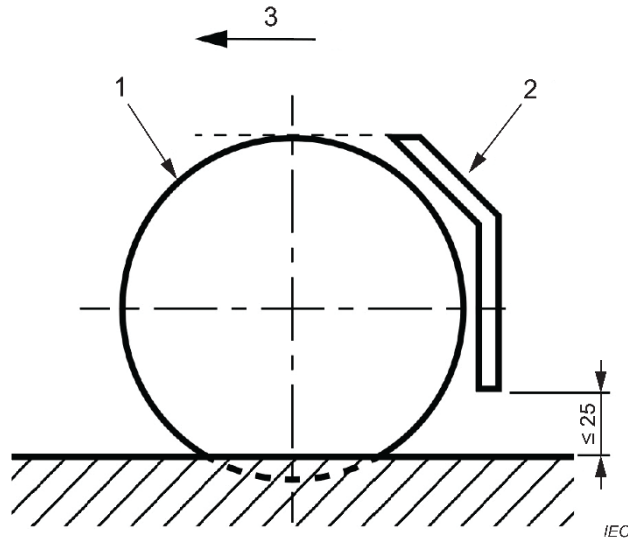
Corrections to the French version appear after the English text.

Les corrections à la version française sont données après le texte anglais.

## 19 Mechanical hazards

Replace the existing Figure 108 with the following new Figure 108:

Dimensions in millimetres



### Key

- 1 tines
- 2 guard
- 3 direction of travel

**Figure 108 – Guarding of lawn scarifier and lawn aerator tines, front discharge**

## Annex I – Measurement of noise and vibration emissions

### I.3 Vibration

Replace the existing text of I.3.6.2 with the following new text:

#### I.3.6.2 Declaration of the vibration total value

*Replacement:*

The vibration total value  $a_h$  of the handle with the highest emission and the uncertainty  $K$  shall be declared. The uncertainty  $K$  shall be declared according to EN 12096.

## Annex K – Battery tools and battery packs

Replace the existing text of K.8.14.1.101 j) with the following new text:

- j) **Do not operate the machine in wet grass. Walk, never run.** This reduces the risk of slipping and falling which may result in personal injury.



