

STN	Čistiarne odpadových vôd Časť 14: Dezinfekcia	STN EN 12255-14 75 6410
------------	--	---

Wastewater treatment plants - Part 14: Disinfection

Táto norma obsahuje anglickú verziu európskej normy.
This standard includes the English version of the European Standard.

Táto norma bola oznámená vo Vestníku ÚNMS SR č. 09/23

Obsahuje: EN 12255-14:2023

Oznámením tejto normy sa ruší
STN EN 12255-14 (75 6410) z októbra 2005

137374

EUROPEAN STANDARD

EN 12255-14

NORME EUROPÉENNE

EUROPÄISCHE NORM

July 2023

ICS 13.060.30

Supersedes EN 12255-14:2003

English Version

Wastewater treatment plants - Part 14: Disinfection

Stations d'épuration - Partie 14: Désinfection

Kläranlagen - Teil 14: Desinfektion

This European Standard was approved by CEN on 28 May 2023.

CEN members are bound to comply with the CEN/CENELEC Internal Regulations which stipulate the conditions for giving this European Standard the status of a national standard without any alteration. Up-to-date lists and bibliographical references concerning such national standards may be obtained on application to the CEN-CENELEC Management Centre or to any CEN member.

This European Standard exists in three official versions (English, French, German). A version in any other language made by translation under the responsibility of a CEN member into its own language and notified to the CEN-CENELEC Management Centre has the same status as the official versions.

CEN members are the national standards bodies of Austria, Belgium, Bulgaria, Croatia, Cyprus, Czech Republic, Denmark, Estonia, Finland, France, Germany, Greece, Hungary, Iceland, Ireland, Italy, Latvia, Lithuania, Luxembourg, Malta, Netherlands, Norway, Poland, Portugal, Republic of North Macedonia, Romania, Serbia, Slovakia, Slovenia, Spain, Sweden, Switzerland, Türkiye and United Kingdom.



EUROPEAN COMMITTEE FOR STANDARDIZATION
COMITÉ EUROPÉEN DE NORMALISATION
EUROPÄISCHES KOMITEE FÜR NORMUNG

CEN-CENELEC Management Centre: Rue de la Science 23, B-1040 Brussels

EN 12255-14:2023 (E)

Contents	Page
European foreword	3
Introduction	5
1 Scope.....	7
2 Normative references.....	7
3 Terms and definitions.....	7
4 Symbols and abbreviations	9
5 Design requirements	10
5.1 General.....	10
5.2 Planning	11
5.2.1 General.....	11
5.2.2 Level of disinfection.....	11
5.3 Process design.....	11
5.3.1 General.....	11
5.3.2 UV radiation.....	12
5.3.3 Ozonation.....	13
5.3.4 Chlorination.....	16
5.3.5 Peracids (Peracetic acid)	18
5.3.6 Membrane filtration	18
5.3.7 Effluent maturation ponds	19
5.3.8 Soil filtration.....	19
5.3.9 Hydrogen peroxide.....	20
5.4 Process control.....	20
5.5 Structures	21
5.6 Health and safety	21
Annex A (normative) Ozone system classification.....	23
Annex B (informative) Measurement of ozone concentration in water.....	24
B.1 General.....	24
B.2 Titrimetric determination of the ozone concentration according to the KI method.....	24
B.3 Photometric determination within the UV range	28
Bibliography	31

European foreword

This document (EN 12255-14:2023) has been prepared by Technical Committee CEN/TC 165 “Wastewater engineering”, the secretariat of which is held by DIN.

This European Standard shall be given the status of a national standard, either by publication of an identical text or by endorsement, at the latest by January 2024, and conflicting national standards shall be withdrawn at the latest by January 2024.

Attention is drawn to the possibility that some of the elements of this document may be the subject of patent rights. CEN shall not be held responsible for identifying any or all such patent rights.

This document supersedes EN 12255-14:2003.

It is the 14th part prepared by Working Group CEN/TC 165/WG 40 relating to the general requirements and processes for treatment plants for a total number of inhabitants and population equivalents (PT) over 50.

The EN 12255 series with the generic title “Wastewater treatment plants” consists of the following parts:

- *Part 1: General construction principles*
- *Part 2: Storm management systems*
- *Part 3: Preliminary treatment*
- *Part 4: Primary treatment*
- *Part 5: Lagooning processes*
- *Part 6: Activated sludge process*
- *Part 7: Biological fixed-film reactors*
- *Part 8: Sludge treatment and storage*
- *Part 9: Odour control and ventilation*
- *Part 10: Safety principles*
- *Part 11: General data required*
- *Part 12: Control and automation*
- *Part 13: Chemical treatment — Treatment of wastewater by precipitation/flocculation*
- *Part 14: Disinfection*
- *Part 15: Measurement of the oxygen transfer in clean water in aeration tanks of activated sludge plants*
- *Part 16: Physical (mechanical) filtration*

NOTE Part 2 is under preparation.

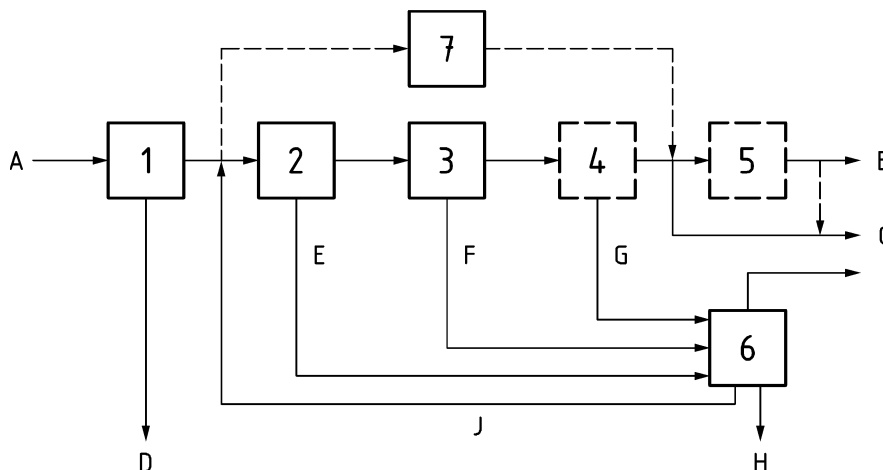
EN 12255-14:2023 (E)

Any feedback and questions on this document should be directed to the users' national standards body. A complete listing of these bodies can be found on the CEN website.

According to the CEN-CENELEC Internal Regulations, the national standards organisations of the following countries are bound to implement this European Standard: Austria, Belgium, Bulgaria, Croatia, Cyprus, Czech Republic, Denmark, Estonia, Finland, France, Germany, Greece, Hungary, Iceland, Ireland, Italy, Latvia, Lithuania, Luxembourg, Malta, Netherlands, Norway, Poland, Portugal, Republic of North Macedonia, Romania, Serbia, Slovakia, Slovenia, Spain, Sweden, Switzerland, Türkiye and the United Kingdom.

Introduction

Differences in wastewater treatment throughout Europe have led to a variety of systems being developed. This document gives fundamental information about the systems; this document has not attempted to specify all available systems. A generic arrangement of wastewater treatment plants is illustrated below in Figure 1:



Key

- | | |
|---|--|
| 1 | preliminary treatment |
| 2 | treatment |
| 3 | secondary treatment |
| 4 | tertiary treatment |
| 5 | additional treatment (e.g. disinfection or removal of micropollutants) |
| 6 | sludge treatment |
| 7 | lagoons (as an alternative) |
| A | raw wastewater |
| B | effluent for re-use (e.g. irrigation) |
| C | discharged effluent |
| D | screenings and grit |
| E | primary sludge |
| F | secondary sludge |
| G | tertiary sludge |
| H | stabilized sludge |
| I | digester gas |
| J | returned water from dewatering |

Figure 1 — Schematic diagram of wastewater treatment plants

Detailed information additional to that contained in this document can be obtained by referring to the Bibliography.

The primary application is for wastewater treatment plants designed for the treatment of domestic and municipal wastewater.

EN 12255-14:2023 (E)

NOTE For requirements on pumping installations at wastewater treatment plants see EN 752 and the EN 16932 series:

- *Part 1: General requirements;*
- *Part 2: Positive pressure systems;*
- *Part 3: Vacuum systems.*

1 Scope

This document specifies design principles and performance requirements for disinfection of effluents (excluding sludge) at wastewater treatment plants serving more than 50 PT.

NOTE Sludge disinfection is described in EN 12255-8.

2 Normative references

The following documents are referred to in the text in such a way that some or all of their content constitutes requirements of this document. For dated references, only the edition cited applies. For undated references, the latest edition of the referenced document (including any amendments) applies.

EN 12255-1, *Wastewater treatment plants - Part 1: General construction principles*

EN 12255-5, *Wastewater treatment plants - Part 5: Lagooning processes*

EN 12255-10, *Wastewater treatment plants - Part 10: Safety principles*

EN 12255-12, *Wastewater treatment plants - Part 12: Control and automation*

EN 12255-15, *Wastewater treatment plants - Part 15: Measurement of the oxygen transfer in clean water in aeration tanks of activated sludge plants*

EN 16323, *Glossary of wastewater engineering terms*

ISO 15727, *UV-C devices — Measurement of the output of a UV-C lamp*

koniec náhľadu – text ďalej pokračuje v platenej verzii STN