

STN	Informačná technika Káblové rozvody distribučnej prístupovej siete v budovách (PDAN) na podporu rozmiestnenia optických širokopásmových sietí	STN EN 50700 36 7255
------------	--	--

Information technology - Premises distribution access network (PDAN) cabling to support deployment of optical broadband networks

Táto norma obsahuje anglickú verziu európskej normy.
This standard includes the English version of the European Standard.

Táto norma bola oznámená vo Vestníku ÚNMS SR č. 12/23

Obsahuje: EN 50700:2023

Oznámením tejto normy sa od 20.10.2026 ruší
STN EN 50700 (36 7255) z júna 2014

137897

Úrad pre normalizáciu, metrológiu a skúšobníctvo Slovenskej republiky, 2024
Slovenská technická norma a technická normalizačná informácia je chránená zákonom č. 60/2018 Z. z. o technickej normalizácii
v znení neskorších predpisov.

EUROPEAN STANDARD

EN 50700

NORME EUROPÉENNE

EUROPÄISCHE NORM

October 2023

ICS 35.110

Supersedes EN 50700:2014

English Version

Information technology - Premises distribution access network (PDAN) cabling to support deployment of optical broadband networks

Technologies de l'information - Câblage du réseau de distribution privé du réseau d'accès dans les locaux (PDAN) supportant le déploiement des réseaux optiques à large bande

Informationstechnik - Standortverkabelung als Teil des optischen Zugangsnetzes von optischen Breitbandnetzen

This European Standard was approved by CENELEC on 2023-07-04. CENELEC members are bound to comply with the CEN/CENELEC Internal Regulations which stipulate the conditions for giving this European Standard the status of a national standard without any alteration.

Up-to-date lists and bibliographical references concerning such national standards may be obtained on application to the CEN-CENELEC Management Centre or to any CENELEC member.

This European Standard exists in three official versions (English, French, German). A version in any other language made by translation under the responsibility of a CENELEC member into its own language and notified to the CEN-CENELEC Management Centre has the same status as the official versions.

CENELEC members are the national electrotechnical committees of Austria, Belgium, Bulgaria, Croatia, Cyprus, the Czech Republic, Denmark, Estonia, Finland, France, Germany, Greece, Hungary, Iceland, Ireland, Italy, Latvia, Lithuania, Luxembourg, Malta, the Netherlands, Norway, Poland, Portugal, Republic of North Macedonia, Romania, Serbia, Slovakia, Slovenia, Spain, Sweden, Switzerland, Türkiye and the United Kingdom.



European Committee for Electrotechnical Standardization
Comité Européen de Normalisation Electrotechnique
Europäisches Komitee für Elektrotechnische Normung

CEN-CENELEC Management Centre: Rue de la Science 23, B-1040 Brussels

EN 50700:2023 (E)

Contents	Page
European foreword	5
1 Scope	11
2 Normative references	11
3 Terms, definitions and abbreviations	12
3.1 Terms and definitions	12
3.2 Abbreviations	15
4 Conformance	15
5 Structure of PDAN cabling within multi-subscriber premises	16
5.1 General	16
5.2 Functional elements.....	16
5.3 General structure and hierarchy	16
5.4 Cabling subsystems.....	18
5.4.1 External cabling subsystem	18
5.4.2 Internal cabling subsystem	18
5.5 Design objectives.....	18
5.6 Accommodation of functional elements.....	19
5.6.1 Fibre management systems providing protection to optical fibre cables and cable elements	19
5.6.2 Example configuration of multi-subscriber premises	19
5.6.3 Example configuration of subscriber premises connected to FTTH networks	20
5.7 Interfaces	20
5.7.1 Equipment interfaces and test interfaces	20
5.7.2 Cabling.....	21
5.8 Dimensioning and configuring	21
5.8.1 Premises dimensions.....	21
5.8.2 Distributors.....	21
5.8.3 Subscriber interface (SI).....	21
5.8.4 Operator access point (OAP)	22
5.8.5 External network test interface (ENTI).....	22
5.8.6 Entrance facilities.....	23
6 PDAN cabling performance	23
6.1 General	23
6.2 Environmental performance.....	23
6.3 Transmission performance	24
6.3.1 Optical return loss.....	24

6.3.2	Attenuation.....	24
7	Implementation options.....	24
8	Cable requirements.....	25
8.1	General.....	25
8.2	Cable.....	25
9	Connecting hardware requirements.....	25
9.1	General requirements.....	25
9.2	Connecting hardware at the SI.....	25
9.3	Connecting hardware at other places.....	26
9.3.1	Plugs and adaptors.....	26
9.3.2	Mechanical and fusion splices.....	26
10	Cords.....	26
11	Accommodation of the subscriber interface (SI) and the customer premises equipment (CPE) 26	
11.1	Security for data integrity.....	26
11.2	Placement of the housing.....	27
Annex A	(informative) Broadband infrastructure external to multi-subscriber premises.....	28
Annex B	(informative) Example implementation of PDAN in multi-tenant premises.....	29
Annex C	(informative) Example implementation of PDAN in privately managed real estate.....	32
Annex D	(informative) Example implementation of PDAN cabling connecting a single subscriber premises.....	37
Annex E	(informative) A-deviation.....	39
	Bibliography.....	41
Figures		
Figure 1	— Multi-subscriber PDAN cabling (LOC external to the premises).....	7
Figure 2	— Example of multi-subscriber PDAN cabling (LOC internal to the premises).....	7
Figure 3	— Schematic relationship between EN 50700 and other relevant TC 215 standards.....	9
Figure 4	— PDAN cabling distribution schematic with future LOC external to premises.....	17
Figure 5	— PDAN cabling distribution schematic with ADP (and future LOC) internal to premises.....	17
Figure 6	— PDAN cabling distribution schematic with ADP (and future LOC) internal to multi-subscriber building.....	17
Figure 7	— Example of accommodation of functional elements.....	20
Figure 8	— Test and equipment interfaces.....	20
Figure 9	— SI connection to the customer network.....	22
Figure 10	— Examples of arrangements of SI, OAP and ENTI.....	22
Figure 11	— Examples of SI configuration of passive PDAN cabling.....	23
Figure A.1	— Broadband optical fibre cabling to subscriber premises.....	28
Figure B.1	— Example implementation – multi-tenant premises on a campus.....	29
Figure C.1	— Schematic with key used in figures of Annex C.....	32
Figure C.2	— Example implementation - pre-construction in small areas.....	33

EN 50700:2023 (E)

Figure C.3 — Example implementation — pre-construction in larger areas	33
Figure C.4 — Example implementation — construction in small areas	34
Figure C.5 — Example implementation — construction in large areas	35
Figure D.1 — Example implementation of PDAN cabling connecting a single subscriber premises.....	37

Tables

Table 1 — Contextual relationship between EN 50700 and other relevant TC 215 standards	10
Table 2 — PDAN cabling attenuation.....	24

European foreword

This document (EN 50700:2023) has been prepared by CLC/TC 215 “Electrotechnical aspects of telecommunication equipment”.

The following dates are fixed:

- latest date by which this document has to be (dop) 2024-04-20 implemented at national level by publication of an identical national standard or by endorsement
- latest date by which the national standards (dow) 2026-10-20 conflicting with this document have to be withdrawn

This document supersedes EN 50700:2014.

EN 50700:2023 includes the following significant technical changes with respect to EN 50700:2014:

- a) Annex B to Annex D with example implementations of PDAN in multi-tenant premises, in privately managed real estate and in local to single subscriber premises, respectively, added;
- b) editorial improvements as appropriate;
- c) A-deviations for France updated, A-deviations for Finland and Spain added.

Attention is drawn to the possibility that some of the elements of this document may be the subject of patent rights. CEN-CENELEC shall not be held responsible for identifying any or all such patent rights.

Any feedback and questions on this document should be directed to the users' national standards body/national committee. A complete listing of these bodies can be found on the CEN and CENELEC websites.

EN 50700:2023 (E)

Introduction

This document has been developed to enable the application of system-independent pre-cabling of multi-subscriber premises to enable the delivery of broadband telecommunication services.

Fibre to the home (FTTH) is the subject of standardization in the form of:

- Technical Reports such as CLC/TR 50510 which cover general concepts and system planning;
- component standards that support its implementation;
- installation standards such as the EN 50174 series.

FTTH is a general term applied to the provision of broadband optical networks to residential premises. Some premises accommodate multiple subscribers and these may be residential or commercial enterprises such as offices, data centres, industrial, retail or a mix of these subscriber types. These multi-subscriber premises may consist of one or more buildings.

Multi-subscriber premises also include areas of privately managed real estate comprising multiple individual premises which themselves can house single or multiple subscribers.

NOTE Annex D describes the connection of individual subscribers directly to FTTH networks using the terminology of this document.

The cabling specified in this document:

- constitutes the part of the broadband access network within multi-subscriber premises termed the premises distribution access network (PDAN); the access network serving single subscriber premises is not normatively addressed in this document;
- is intended to be pre-installed, in readiness for subsequent connection of the multi-subscriber premises, to an access provider's infrastructure to an access demarcation point (ADP) - enabling broadband content to be delivered by the service provider(s).

Within premises, the importance of the information technology cabling infrastructure is similar to that of other fundamental building utilities such as heating, lighting and mains power. As with other utilities, interruptions to service can have a serious impact. Poor quality of service due to lack of design foresight, use of inappropriate components, incorrect installation, poor administration or inadequate support can disrupt service delivery.

This document:

- allows access providers to be aware of the minimum implementation delivered to them when they reach such multi-subscriber premises;
- maximizes the opportunity for network evolution by either the access provider or the service providers using that access infrastructure.

This document specifies the cabling between the access demarcation point (ADP) and the subscriber interface (SI). The transmission performance of the premises cabling between the last operator connection point (LOC) and the ADP is not addressed although the requirements for its accommodation are provided by external reference to the EN 50174 series. The location of the LOC can be either outside the premises' boundary (see the schematic in Figure 1) or inside the premises, internal or external to a building (see the schematic in Figure 2).

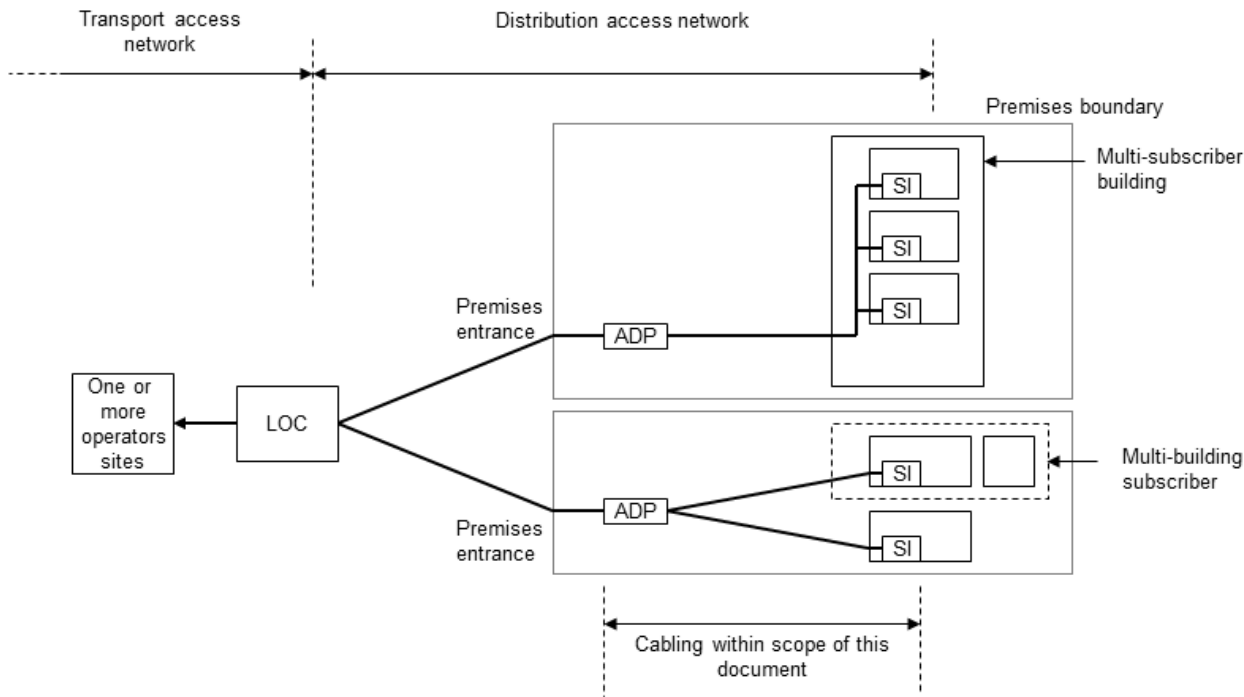


Figure 1 — Multi-subscriber PDAN cabling (LOC external to the premises)

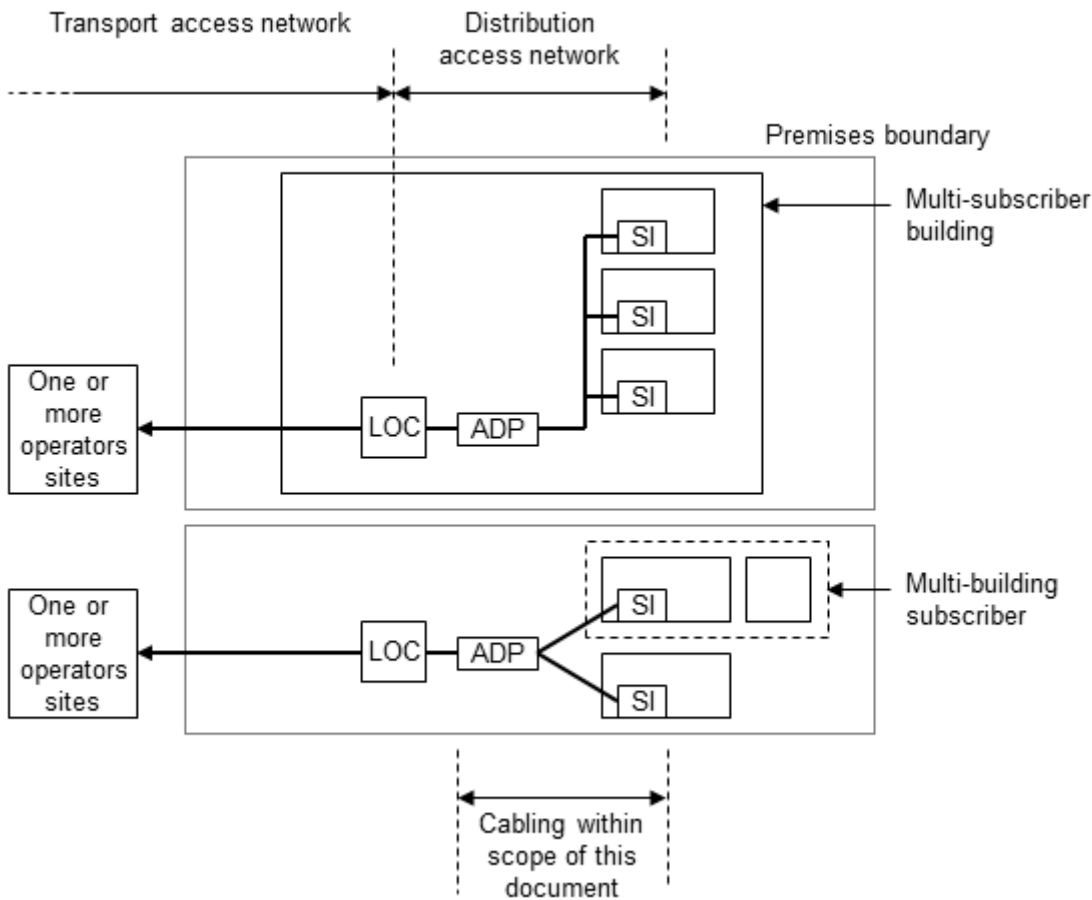


Figure 2 — Example of multi-subscriber PDAN cabling (LOC internal to the premises)

EN 50700:2023 (E)

Where the subscribers' premises are homes, the design of generic cabling beyond the SI is specified in EN 50173-4. CLC/TR 50173-99-2 and CLC/TR 50173-99-3 provide additional information in relation to cabling design within homes. For other types of subscribers, the design of generic cabling beyond the SI is specified in other documents in the EN 50173 series.

This document provides:

- a) access providers with an application independent optical fibre cabling subsystem;
- b) an open market for cabling components;
- c) building professionals (for example, architects) with guidance for the accommodation of cabling and interfaces before specific requirements are known; i.e. in the initial planning either for construction or refurbishment.

This document specifies multi-vendor cabling, and is related to:

- standards for cabling components developed by Technical Committees of CENELEC and/or IEC;
- standards for the quality assurance and installation of information technology cabling (EN 50174 series) and testing of installed cabling (ISO/IEC 14763-3);
- applications developed by ETSI and Study Groups of ITU-T.

Figure 3 and Table 1 show the schematic and contextual relationships between the standards produced by TC 215 for information technology cabling, namely:

- 1) the EN 50173 series where this standard interfaces to the subscriber;
- 2) installation (EN 50174 series).

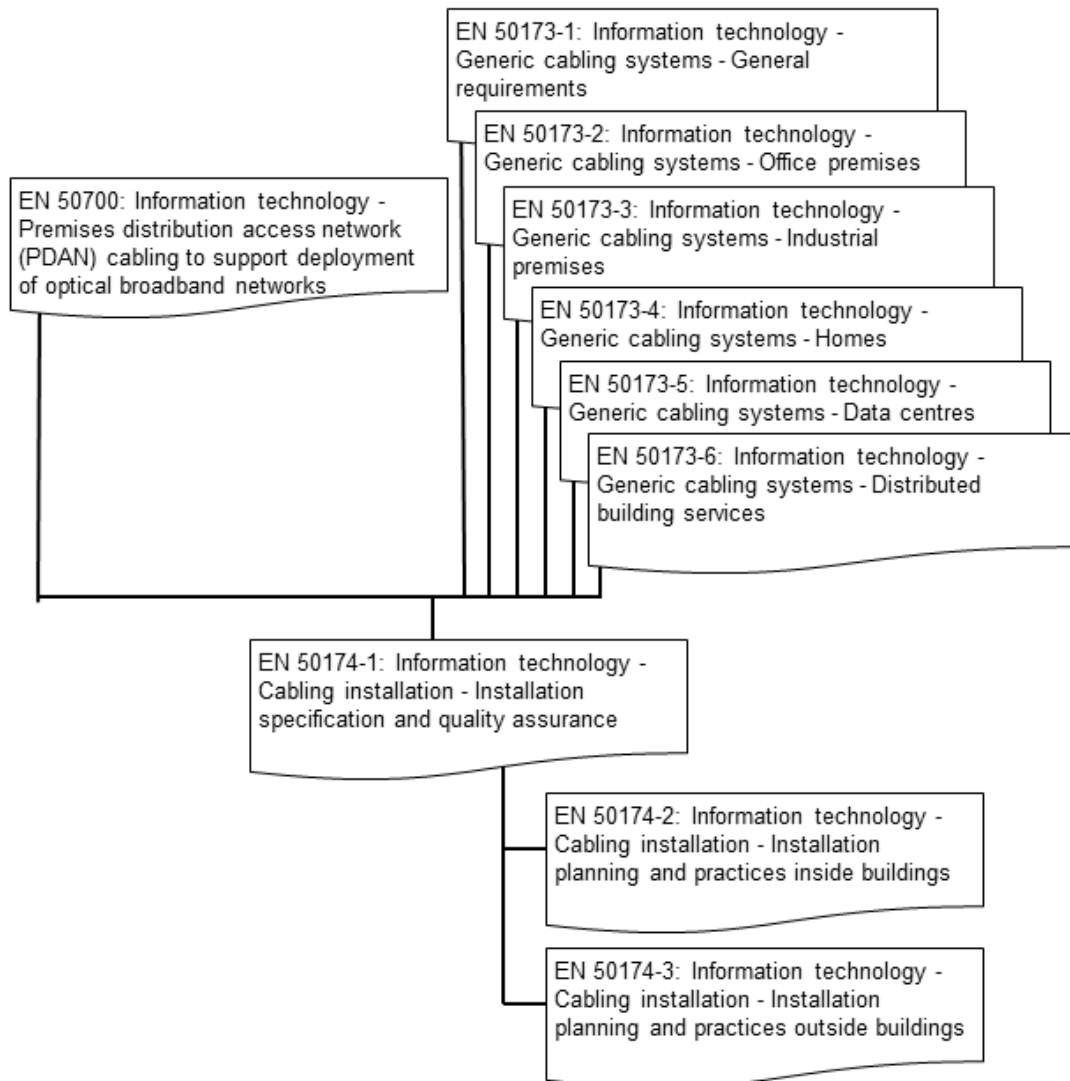


Figure 3 — Schematic relationship between EN 50700 and other relevant TC 215 standards

EN 50700:2023 (E)**Table 1 — Contextual relationship between EN 50700 and other relevant TC 215 standards**

PDAN cabling design phase	Specification phase	Installation phase	Operation phase
EN 50700 5: Structure of PDAN cabling within multi-subscriber premises 6: PDAN cabling performance 7: Implementation options 8: Cable requirements 9: Connecting hardware requirements	EN 50174-1 4 Requirements for specifying installations of information technology cabling 5: Requirements for installers of information technology cabling		EN 50174-1 4: Requirements for specifying installations of information technology cabling
	Planning phase		
	EN 50174-2 4: Requirements for planning installations of information technology cabling 6: Segregation of metallic information technology cabling and power supply cabling 7: Electricity distribution systems and lightning protection 8: Office (commercial) premises 9: Industrial premises 10: Homes 11: Data centres 12: Multi-tenant pathways and spaces and EN 50174-3 4. Requirements for planning installations of information technology cabling 5. Requirements for the installation of information technology cabling 6. Segregation 7. Additional installation practices for specific sites and services	EN 50174-2 5: Requirements for the installation of information technology cabling 6: Segregation of metallic information technology cabling and power supply cabling 8: Office (commercial) premises 9: Industrial premises 10: Homes 11: Data centres 12: Multi-tenant pathways and spaces and EN 50174-3 4. Requirements for planning installations of information technology cabling 5. Requirements for the installation of information technology cabling 6. Segregation 7. Additional installation practices for specific sites and services	

1 Scope

This document specifies the optical fibre access network cabling within single- and multi-subscriber premises termed the premises distribution access network (PDAN). The premises can comprise single or multiple buildings.

The cabling specified is intended to be pre-installed, in readiness for subsequent connection of the multi-subscriber premises to an access providers infrastructure to support deployment of optical broadband networks.

This document does not specify either the access network cabling external to the premises or the cabling within the subscriber space for onward distribution of services beyond the customer premises equipment.

This document specifies:

- a) the structure and configuration of the optical fibre cabling;
- b) cabling performance requirements;
- c) implementation options.

Annex A contains information on network segments not covered by this document.

Safety practices in relation to optical power hazard are specified in EN 60825-2. Optical powers higher than the hazard levels specified in EN 60825-2 are not considered in this document.

Safety (electrical safety, fire, etc.) and electromagnetic compatibility (EMC) requirements are outside the scope of this document and are covered by other standards and regulations. However, information given in this document can be of assistance in meeting these standards and regulations.

2 Normative references

The following documents are referred to in the text in such a way that some or all of their content constitutes requirements of this document. For dated references, only the edition cited applies. For undated references, the latest edition of the referenced document (including any amendments) applies.

EN 50173-1:2018, *Information technology - Generic cabling systems - Part 1: General requirements*

EN 50174-1, *Information technology - Cabling installation - Part 1: Installation specification and quality assurance*

EN 50411-3-2:2011, *Fibre organisers and closures to be used in optical fibre communication systems - Product specifications - Part 3-2: Singlemode mechanical fibre splice*

EN IEC 60793-2-50:2019, *Optical fibres - Part 2-50: Product specifications - Sectional specification for class B single-mode fibres (IEC 60793-2-50:2012)*

EN 61754-20:2012, *Fibre optic interconnecting devices and passive components - Fibre optic connector interfaces - Part 20: Type LC connector family (IEC 61754-20:2012)*

EN 61755-1:2006, *Fibre optic connector optical interfaces - Part 1: Optical interfaces for single mode non-dispersion shifted fibres - General and guidance (IEC 61755-1:2005)*

EN 61755-2-2:2006, *Fibre optic connector optical interfaces - Part 2-2: Optical interface standard single mode angled physically contacting fibres (IEC 61755-2-2:2006)*

ISO/IEC 14763-3, *Information technology — Implementation and operation of customer premises cabling — Part 3: Testing of optical fibre cabling*

koniec náhľadu – text ďalej pokračuje v platenej verzii STN